



LED WATTAGE CHART

Drive Current	80L	96L	128L	144L
350 milliamps	84W (7126-9213 Lumens)	100W (8551-11055 Lumens)	134W (11401-14740 Lumens)	151W (12826-47380 Lumens)
530 milliamps	127W (10790-13951 Lumens)	152W (12948-16741 Lumens)	203W (17264-22321 Lumens)	228W (19422-25111 Lumens)
700 milliamps	167W (14251-18426 Lumens)	201W (17101-22111 Lumens)	268W (22802-29481 Lumens)	301W (25652-33166 Lumens)
1000 milliamps	-	-	-	430W 36646-47380 Lumens)
1050 milliamps	239W (20359-26322 Lumens)	287W (24431-31587 Lumens)	382W (32574-42116 Lumens)	-

FORM

- Elegant Die-Cast Aluminum Housing
- Corrosion Resistant Stainless Steel External Hardware
- Sleek, Low Profile Housing
- Spec Grade Performance
- Engineered For Optimum Thermal Management
- 9 Architectural Finishes Standard, RAL Colors Available

FUNCTION

- Micro Optics IES Distributions T2, T3, T4, T5
- 0-10V Dimming Drivers
THD @ Max Load < 15%
Power factor @ Max Load < 0.95
- Amber, 2700K, 3000K, 3500K, 4000K, or 5000K
- 80L to 144L LED Configuration
- CRI 70, 80, or 90
- 5 Mils Powder Coat
- Up to 47,380 Lumens

RELIABILITY

- Silicone Micro Optics
- 5 Year Standard Warranty
- IP67 Optics
- IP66 Fixture

BUY AMERICAN

To ensure the latest BAA/TAA/BABA Standards are being met, please select BAA, TAA, or BABA in the options section. Please contact the factory before placing an order for any NLS products requesting BAA (Buy American Act), TAA (Trade Agreement Act), or BABA (Build America, Buy America).



Project Name:

Type:

ORGANIX - 3 POST TOP ORDERING GUIDE

Cat#	Light Dist.	# of LEDs	Drive Current	Color Temp. / CRI	Voltage
Organix - 3 Post-Top (ORX-3)	Type 2 (T2)	80 (80L)	350 (35)	Amber 585-600nM (AMBER) 4, 11, 12, 15	120-277 (UNV)
	Type 3 (T3)	96 (96L)	530 (53)	2700K, 70 CRI (27K7) 15	347-480 (HV)
	Type 4 (T4)	128 (128L)	700 (7)	2700K, 80 CRI (27K8) 1, 15	
	Type 5 (T5)	144 (144L)	1000 (1A)	3000K, 70 CRI (30K7) 15	
	Type 4 Forward Throw Wide (T4FTW) 12		1050 (1) 8	3000K, 80 CRI (30K8) 1, 15	
	Type 5 Wide (T5W)			3500K, 80 CRI (35K8)	
	Front Row (FR) 7			4000K, 70 CRI (40K7)	
	Upper Corner Right (UCR) 7			4000K, 80 CRI (40K8) 1	
	Upper Corner Left (UCL) 7			5000K, 70 CRI (50K7)	
	Lower Corner Right (LCR) 7			5000K, 80 CRI (50K8) 1	
	Lower Corner Left (LCL) 7				
	Mounting	Color	Controls Options	Options	Lens Options
Single Arm Post Top Slips Over 2-3/8" OD Tenon (SPT238)	Bronze Textured (BRZ)	Nema 7-Pin Receptacle (PE7)	Marine Grade Finish (MGF)	Diffused Polycarbonate Visual Comfort Lens (DPCL) 6, 18, 19	
Single Arm Post Top Slips Over 3" OD to 3.5" OD Pole or Tenon (SPT312)	White Textured (WHT)	Nema 7-Pin Receptacle +Shorting Cap (PER)	House Side Shield (HSS) 9	Clear Tempered Glass Lens (CTG) 6, 18, 19	
Double Arm Post Top Slips Over 2-3/8" OD Tenon (DPT238)	Smooth White Gloss (SWT)	Photocell+Receptacle (PCR)	Automotive House Side Shield (AHS) 9	HAL Lens (HAL) 16, 17, 18, 19	
Double Arm Post Top Slips Over 3" OD to 3.5" OD Pole or Tenon (DPT312)	Silver Metallic (SVR)	FSP-211 with Motion Sensor/Photocell 9'-20' Heights (FSP211-20) 3, 13	Single Fuse (SF)		
	Black Textured (BLK)	21'-40' Heights (FSP211-40) 3, 13	Double Fuse (DF)		
	Smooth Black Gloss (SBK)	FSP-221 with Motion Sensor/Photocell 9'-20' Heights (FSP221-20) 14	Tamper Proof Hardware (TPH)		
	Graphite Textured (GPH)	21'-40' Heights (FSP221-40) 14	Buy American Act (BAA) 5		
	Grey Textured (GRY)	Custom Controls Integration (CCI) 2	Trade Agreement Act (TAA) 5		
	Green Textured (GRN)		Build America Buy American (BABA) 5		
	Hunter Green Textured (HGN)		FSP Remote (FSIR) 10		
	Custom (CS)				

NOTES:

- Consult Factory For Lead Time. Consult Factory For 90 CRI Requests
- Please contact Factory for Custom Control Integration requests (nLight, NX, WaveLinx, Crestron, DMX/RDM, Synapse, Casambi, Dali II, Avi-On, or other control systems)
- Universal Voltage 120-277
- Turtle Safe
- Consult factory for all BAA/TAA/BABA requests
- 700mA Max For Lens Options
- Consult Factory
- Not Available in 144L
- Not Available With Lens Options (DPCL, CTG, HAL)
- Projects with sensors require Qty. 1 FSIR per project
- Not Available above 700mA
- Consult Factory for Lead Time
- FSP-211, 120V/277V, 230-240VAC (single phase), 50/60Hz
- FSP-221, 100-347VAC (single phase) or 208/230/480VAC (phase-to-phase)
- 3000K or lower, with fixed mounting options only, must be selected to meet International Dark-Sky Association certification.
- HAL Lens: Yellow Polycarbonate Lens - less than 2% Blue Light Content
- Contact Factory
- Not available with Motion Sensors
- 700mA Max For Lens Options



701 Kingshill Place, Carson, CA 90746
Call Us Today (310) 341-2037

nslighting.com

PRODUCT SPECIFICATIONS

ELECTRICAL

- 120-277 Volts (UNV) or 347-480 Volts (HV)
- 0-10V dimming driver
- Driver power factor at maximum load is $\geq .95$, THD maximum load is 15%
- LED Drivers Ambient Temp. Min is -40°C and Ambient Temp. Max ranges from 50°C to 55°C and, in some cases, even higher. Consult the factory for revalidation by providing the fixture catalog string before quoting and specifying it.
- All drivers, controls, and sensors housed in enclosed IP66 compartment
- CRI 70, 80 or 90
- Color temperatures: Amber, 2700K, 3000K, 3500K, 4000K, 5000K
- Surge Protection: 20KVA supplied as standard.

CONSTRUCTION

- Die Cast Aluminum
- Internal cooling fins
- Corrosion resistant external hardware
- One-piece silicone gasket ensures IP66 seal for electronics compartment

OPTICS

Silicone optics high thermal stability and light output provide higher powered LEDs with minimized lumen depreciation. UV stability with scratch resistance increases exterior application durability. Silicone optics do not yellow, crack or brittle over time.

CONTROL OPTIONS

- **FSP-211 w/Motion Sensor/Photocell (120/277VAC, 230-240VAC)**
(FSP-X) - Passive infrared (PIR) sensor providing multi-level control based on motion/daylight contribution.
- **FSP-221 w/Motion Sensor/Photocell (100-347VAC, 208/230/480VAC)**
(FSP-HV-X) - Passive infrared (PIR) sensor providing multi-level control based on motion/daylight contribution.
 - All control parameters adjustable via wireless configuration remote storing and transmitting sensor profiles.
 - Party Setting Available (10% output) Consult Factory
 - FSP-8 mounting heights 8 feet and below
 - FSP-20 mounting heights 9-20 feet.
 - FSP-40 mounting heights 21-40 feet.
 - Includes 5 dimming event cycles, 0-10V dimming with motion sensing, re-programmable in the field. Programmable remote must be purchased separately.
 - FSIR-100 commissioning remote is required to change sensor settings. Please contact factory for ordering.
- NEMA 7-PIN RECEPTACLE (PE7) - An ANSI C136.41-2013 receptacle provides electrical and mechanical interconnection between photo control cell and luminaire. Dimming receptacle available two or four dimming contacts supports 0-10 VDC dimming methods or Digital Addressable Lighting Interface (DALI), providing reliable power interconnect.
- RECEPTACLE + SHORTING CAP (PER) - 7-Pin Receptacle and Shorting Cap.
- PHOTOCCELL + RECEPTACLE (PCR) - 7-Pin Receptacle and Photocell.
- Controls Agnostic: Please contact factory for your preferred controls option. (nLight, NX, WaveLinX, Crestron, DMX/RDM, Synapse, Casambi, DALI II, Avi-On, or other control systems)

OPTIONS

- BIRD SPIKES (BS) - Offer an effective and humane deterrent for larger bird species and provide a cost-effective long-term solution to nuisance bird infestations and to protect your property.
- MARINE GRADE FINISH (MGF) - A multi-step process creating a protective finishing coat against harsh environments. Chemically washed in a 5-stage cleaning system. Pre-baked, Powder coated 3-5 mils of Zinc Rich Super Durable Polyester Primer. Oven Baked. Finished Powder Coating of Super Durable Polyester Powder Coat 3-5 mil thickness.
- House Side Shield (HSS) is designed for full property line cutoff.
- Automotive House Side Shield (AHS)
- Tamper Proof Hardware (TPH)

FINISH

- 3-5 mils electrostatic powder coat.
- NLS Lighting standard high-quality finishes prevent corrosion, and protects against extreme environmental conditions.

WARRANTY

- Five-year limited warranty for drivers and LEDs.
- Consult Factory for 7 or 10 year warranty.

LISTINGS

- UL Listed in compliance with UL 1598, the Standard for Safety of Luminaires, including the applicable wet location requirements
- Compliant with UL 8750 LED driver design and test safety standards
- CSA C22.2 No. 250.0
- IP66 Rated Fixture
- IP67 Rated Optics
- IK10 Rated
- Dark Sky Certified, 3000K or lower, with fixed mounting options only, must be selected to meet International Dark-Sky Association certification.

BUY AMERICAN OPTION

While all of the NLS Lighting products listed in this document qualify for the Buy America(n) Act of 1933, we reserve the right to change our listings without notice.

The information provided above is for general informational purposes only. We encourage you to consult legal professionals for advice particular to your projects concerning BAA, TAA, BABA or Buy America.

Additional NLS Products that meet BAA, TAA standards can be found at the following link:

<https://nslighting.com/buy-american/>



3000K or lower, with fixed mounting options only, must be selected to meet International Dark-Sky Association certification.

The information and specifications on this document are subject to change without any notification. All values are design, nominal, typical or prorated values when measured under internal and external laboratory conditions.



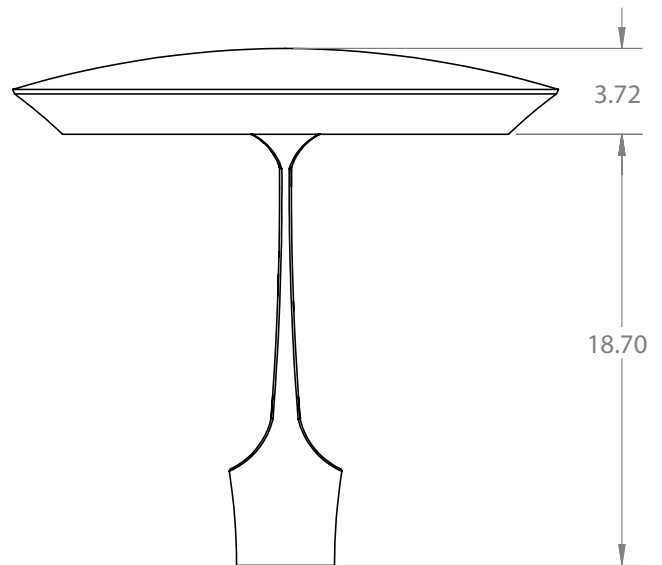
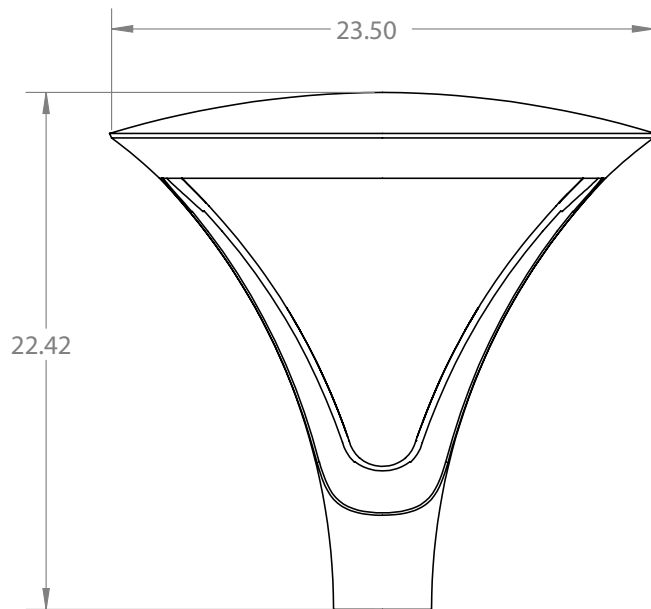
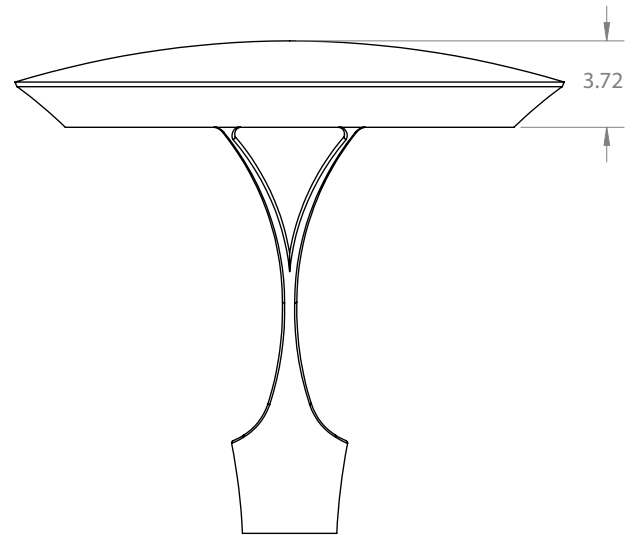
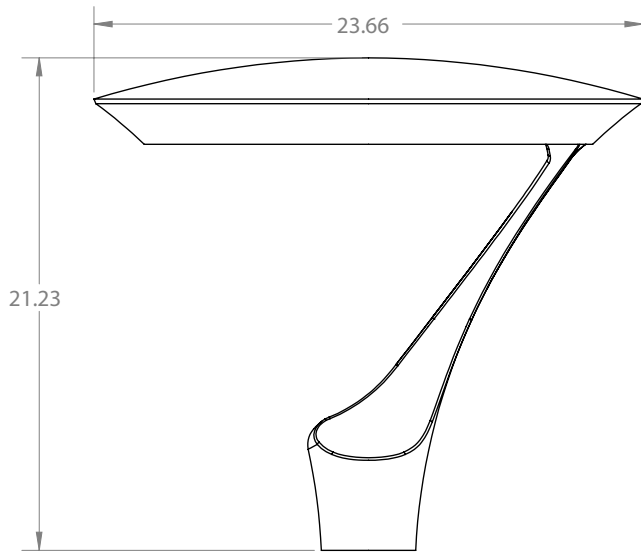
701 Kingshill Place, Carson, CA 90746
Call Us Today (310) 341-2037

nslighting.com

PRODUCT SPECIFICATIONS

MODEL	WIDTH	HEIGHT	WEIGHT
ORX-3-SPT	23.66"	21.23"	35 LBS
ORX-3-DPT	23.5"	22.42"	36 LBS

MODEL	EPA
ORX-3-SPT	0.33 ft ²
ORX-3-DPT	0.33 ft ²



SCAN FOR INSTALLATION INSTRUCTIONS



PRODUCT SPECIFICATIONS

The ORX-3 when tested without any arms or struts below the fixture aperture, results in 0 measured lumens of uplight above 90 degrees vertical. Any lumens affecting the "U" designation in the BUG Ratings in our standard IES files for the single or double arm post top fixtures, are the result of light bouncing off the support arms located below the fixture aperture. The amount of reflected light over 90 degrees vertical for this style of fixture, is typically between 0.5%-2% of the overall fixture lumens, depending on the fixture design.

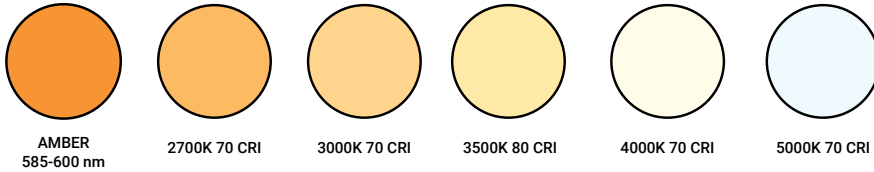
Please note:

Manufacturers use different methodologies to evaluate "U0"/uplight. Some manufacturers follow a methodology of removing the data associated with the light reflected off the support arms from their IES test files and lumen charts, to show a "U0" BUG Rating. This practice is based on the view, that if the fixture itself is not directing any light out of the fixture at an angle over 90 degrees vertical, it is not necessary to show those lumen values in the IES files or lumen charts related to that product.

A value as low as 1 lumen of uplight over 90 degrees vertical, will result in a "U1" BUG Rating in an IES file. Our Post Top mounted fixtures are not directing any light out of the fixture at angles over 90 degrees vertical.

The lumen charts below have the data associated with light reflected off the support arms below the fixture aperture, removed from the data. We did test the fixtures without the support arms below the aperture. All of those tests came back U0. Therefore, the lumens and BUG Ratings in the Lumen Charts below are based on the light distribution as it is exiting the fixture, without taking the reflected light off the support arms into account.

LED KELVIN RANGE



Color	Dominant or Peak Wavelength Range (nm)	
	Minimum	Maximum
Amber	585	600

Lumen Maintenance Data							
Ambient Temperature	Drive Current	L90 Hours*	L70 Hours**	30,000 Hours*	50,000 Hours*	60,000 Hours*	100,000 Hours**
25°C	Up to 700mA	58,000	173,000	95.7%	91.6%	89.6%	82.1%
	1050mA	48,000	143,000	94.3%	89.5%	87.2%	78.5%
*Reported extrapolations per IESNA TM-21				**Projected extrapolations per IESNA TM-21			

PRODUCT SPECIFICATIONS

LUMEN CHARTS

SINGLE ARM POST TOP - 80L

LUMEN CHART - STANDARD SILICONE MICRO OPTICS									
PART NUMBER	T2	LPW	T3	LPW	T4	LPW	T5	LPW	WATTAGE
ORX-3-SPT-80L-35-27K7	7678	91	7535	90	7404	88	7494	89	84
ORX-3-SPT-80L-35-27K8	7190	86	7056	84	6933	83	7017	84	84
ORX-3-SPT-80L-35-30K7	8302	99	8148	97	8006	95	8103	96	84
ORX-3-SPT-80L-35-30K8	7708	92	7565	90	7433	88	7523	90	84
ORX-3-SPT-80L-35-35K8	7708	92	7565	90	7433	88	7523	90	84
ORX-3-SPT-80L-35-40K7	8970	107	8803	105	8650	103	8755	104	84
ORX-3-SPT-80L-35-40K8	8302	99	8148	97	8006	95	8103	96	84
ORX-3-SPT-80L-35-50K7	8970	107	8803	105	8650	103	8755	104	84
ORX-3-SPT-80L-35-50K8	8302	99	8148	97	8006	95	8103	96	84
ORX-3-SPT-80L-53-27K7	11627	92	11411	90	11212	88	11348	89	127
ORX-3-SPT-80L-53-27K8	10888	86	10685	84	10499	83	10626	84	127
ORX-3-SPT-80L-53-30K7	12572	99	12337	97	12123	95	12270	97	127
ORX-3-SPT-80L-53-30K8	11673	92	11455	90	11256	89	11393	90	127
ORX-3-SPT-80L-53-35K8	11673	92	11455	90	11256	89	11393	90	127
ORX-3-SPT-80L-53-40K7	13584	107	13330	105	13098	103	13258	104	127
ORX-3-SPT-80L-53-40K8	12572	99	12337	97	12123	95	12270	97	127
ORX-3-SPT-80L-53-50K7	13584	107	13330	105	13098	103	13258	104	127
ORX-3-SPT-80L-53-50K8	12572	99	12337	97	12123	95	12270	97	127
ORX-3-SPT-80L-7-27K7	15357	92	15071	90	14809	89	14989	90	167
ORX-3-SPT-80L-7-27K8	14379	86	14111	84	13866	83	14034	84	167
ORX-3-SPT-80L-7-30K7	16604	99	16295	98	16011	96	16206	97	167
ORX-3-SPT-80L-7-30K8	15417	92	15130	91	14866	89	15047	90	167
ORX-3-SPT-80L-7-35K8	15417	92	15130	91	14866	89	15047	90	167
ORX-3-SPT-80L-7-40K7	17941	107	17607	105	17300	104	17510	105	167
ORX-3-SPT-80L-7-40K8	16604	99	16295	98	16011	96	16206	97	167
ORX-3-SPT-80L-7-50K7	17941	107	17607	105	17300	104	17510	105	167
ORX-3-SPT-80L-7-50K8	16604	99	16295	98	16011	96	16206	97	167
ORX-3-SPT-80L-1-27K7	21939	92	21530	90	21155	89	21412	90	239
ORX-3-SPT-80L-1-27K8	20542	86	20159	84	19808	83	20049	84	239
ORX-3-SPT-80L-1-30K7	23720	99	23278	97	22873	96	23151	97	239
ORX-3-SPT-80L-1-30K8	22024	92	21614	90	21237	89	21496	90	239
ORX-3-SPT-80L-1-35K8	22024	92	21614	90	21237	89	21496	90	239
ORX-3-SPT-80L-1-40K7	25630	107	25152	105	24714	103	25015	105	239
ORX-3-SPT-80L-1-40K8	23720	99	23278	97	22873	96	23151	97	239
ORX-3-SPT-80L-1-50K7	25630	107	25152	105	24714	103	25015	105	239
ORX-3-SPT-80L-1-50K8	23720	99	23278	97	22873	96	23151	97	239

PRODUCT SPECIFICATIONS

SINGLE ARM POST TOP - 80L

LUMEN CHART - PERFORMANCE SILICONE MICRO OPTICS

PART NUMBER	T4FTW	LPW	T4FTW CTG	LPW	T4FTW DPCL	LPW	T5W	LPW	T5W CTG	LPW	T5W DPCL	LPW	WATTAGE
ORX-3-SPT-80L-35-27K7	7689	90	6536	77	NA	NA	7607	89	6466	76	NA	NA	85
ORX-3-SPT-80L-35-27K8	7200	85	6121	72	NA	NA	7124	84	6055	71	NA	NA	85
ORX-3-SPT-80L-35-30K7	8314	98	7069	83	NA	NA	8224	97	6991	82	NA	NA	85
ORX-3-SPT-80L-35-30K8	7721	91	6565	77	NA	NA	7637	90	6492	76	NA	NA	85
ORX-3-SPT-80L-35-35K8	7721	91	6565	77	NA	NA	7637	90	6492	76	NA	NA	85
ORX-3-SPT-80L-35-40K7	8983	106	7636	90	NA	NA	8886	105	7553	89	NA	NA	85
ORX-3-SPT-80L-35-40K8	8315	98	7068	83	NA	NA	8225	97	6991	82	NA	NA	85
ORX-3-SPT-80L-35-50K7	8983	106	7636	90	NA	NA	8886	105	7553	89	NA	NA	85
ORX-3-SPT-80L-35-50K8	8315	98	7068	83	NA	NA	8225	97	6991	82	NA	NA	85
ORX-3-SPT-80L-53-27K7	11095	85	9430	73	NA	NA	11855	91	10077	78	NA	NA	130
ORX-3-SPT-80L-53-27K8	10390	80	8831	68	NA	NA	11102	85	9437	73	NA	NA	130
ORX-3-SPT-80L-53-30K7	11995	92	10196	78	NA	NA	12818	99	10895	84	NA	NA	130
ORX-3-SPT-80L-53-30K8	11140	86	9469	73	NA	NA	11904	92	10118	78	NA	NA	130
ORX-3-SPT-80L-53-35K8	11140	86	9469	73	NA	NA	11904	92	10118	78	NA	NA	130
ORX-3-SPT-80L-53-40K7	12961	100	11017	85	NA	NA	13850	107	11772	91	NA	NA	130
ORX-3-SPT-80L-53-40K8	11997	92	10198	78	NA	NA	12820	99	10896	84	NA	NA	130
ORX-3-SPT-80L-53-50K7	12961	100	11017	85	NA	NA	13850	107	11772	91	NA	NA	130
ORX-3-SPT-80L-53-50K8	11997	92	10198	78	NA	NA	12820	99	10896	84	NA	NA	130
ORX-3-SPT-80L-7-27K7	13638	80	11592	68	NA	NA	14634	86	12439	73	NA	NA	170
ORX-3-SPT-80L-7-27K8	12771	75	10855	64	NA	NA	13704	81	11648	69	NA	NA	170
ORX-3-SPT-80L-7-30K7	14745	87	12533	74	NA	NA	15822	93	13449	79	NA	NA	170
ORX-3-SPT-80L-7-30K8	13693	81	11639	68	NA	NA	14694	86	12490	73	NA	NA	170
ORX-3-SPT-80L-7-35K8	13693	81	11639	68	NA	NA	14694	86	12490	73	NA	NA	170
ORX-3-SPT-80L-7-40K7	15932	94	13542	80	NA	NA	17096	101	14531	85	NA	NA	170
ORX-3-SPT-80L-7-40K8	14747	87	12535	74	NA	NA	15824	93	13450	79	NA	NA	170
ORX-3-SPT-80L-7-50K7	15932	94	13542	80	NA	NA	17096	101	14531	85	NA	NA	170
ORX-3-SPT-80L-7-50K8	14747	87	12535	74	NA	NA	15824	93	13450	79	NA	NA	170
ORX-3-SPT-80L-1-27K7	19918	78	NA	NA	NA	NA	19701	78	NA	NA	NA	NA	254
ORX-3-SPT-80L-1-27K8	18652	73	NA	NA	NA	NA	18449	73	NA	NA	NA	NA	254
ORX-3-SPT-80L-1-30K7	21535	85	NA	NA	NA	NA	21300	84	NA	NA	NA	NA	254
ORX-3-SPT-80L-1-30K8	19999	79	NA	NA	NA	NA	19781	78	NA	NA	NA	NA	254
ORX-3-SPT-80L-1-35K8	19999	79	NA	NA	NA	NA	19781	78	NA	NA	NA	NA	254
ORX-3-SPT-80L-1-40K7	23269	92	NA	NA	NA	NA	23015	91	NA	NA	NA	NA	254
ORX-3-SPT-80L-1-40K8	21538	85	NA	NA	NA	NA	21303	84	NA	NA	NA	NA	254
ORX-3-SPT-80L-1-50K7	23269	92	NA	NA	NA	NA	23015	91	NA	NA	NA	NA	254
ORX-3-SPT-80L-1-50K8	21538	85	NA	NA	NA	NA	21303	84	NA	NA	NA	NA	254

PRODUCT SPECIFICATIONS

SINGLE ARM POST TOP - 96L

LUMEN CHART - STANDARD SILICONE MICRO OPTICS									
PART NUMBER	T2	LPW	T3	LPW	T4	LPW	T5	LPW	WATTAGE
ORX-3-SPT-96L-35-27K7	9214	92	9043	90	8885	89	8993	90	100
ORX-3-SPT-96L-35-27K8	8628	86	8467	85	8320	83	8421	84	100
ORX-3-SPT-96L-35-30K7	9962	100	9777	98	9607	96	9724	97	100
ORX-3-SPT-96L-35-30K8	9250	93	9078	91	8920	89	9028	90	100
ORX-3-SPT-96L-35-35K8	9250	93	9078	91	8920	89	9028	90	100
ORX-3-SPT-96L-35-40K7	10764	108	10564	106	10380	104	10506	105	100
ORX-3-SPT-96L-35-40K8	9962	100	9777	98	9607	96	9724	97	100
ORX-3-SPT-96L-35-50K7	10764	108	10564	106	10380	104	10506	105	100
ORX-3-SPT-96L-35-50K8	9962	100	9777	98	9607	96	9724	97	100
ORX-3-SPT-96L-53-27K7	13953	92	13693	90	13455	89	13618	90	152
ORX-3-SPT-96L-53-27K8	13064	86	12821	84	12598	83	12751	84	152
ORX-3-SPT-96L-53-30K7	15086	99	14805	97	14547	96	14724	97	152
ORX-3-SPT-96L-53-30K8	14007	92	13746	90	13507	89	13671	90	152
ORX-3-SPT-96L-53-35K8	14007	92	13746	90	13507	89	13671	90	152
ORX-3-SPT-96L-53-40K7	16300	107	15997	105	15718	103	15909	105	152
ORX-3-SPT-96L-53-40K8	15086	99	14805	97	14547	96	14724	97	152
ORX-3-SPT-96L-53-50K7	16300	107	15997	105	15718	103	15909	105	152
ORX-3-SPT-96L-53-50K8	15086	99	14805	97	14547	96	14724	97	152
ORX-3-SPT-96L-7-27K7	18428	92	18085	90	17770	88	17986	89	201
ORX-3-SPT-96L-7-27K8	17255	86	16934	84	16639	83	16841	84	201
ORX-3-SPT-96L-7-30K7	19925	99	19554	97	19213	96	19447	97	201
ORX-3-SPT-96L-7-30K8	18500	92	18156	90	17840	89	18056	90	201
ORX-3-SPT-96L-7-35K8	18500	92	18156	90	17840	89	18056	90	201
ORX-3-SPT-96L-7-40K7	21529	107	21128	105	20760	103	21013	105	201
ORX-3-SPT-96L-7-40K8	19925	99	19554	97	19213	96	19447	97	201
ORX-3-SPT-96L-7-50K7	21529	107	21128	105	20760	103	21013	105	201
ORX-3-SPT-96L-7-50K8	19925	99	19554	97	19213	96	19447	97	201
ORX-3-SPT-96L-1-27K7	26326	92	25836	90	25386	88	25695	90	287
ORX-3-SPT-96L-1-27K8	24650	86	24191	84	23770	83	24059	84	287
ORX-3-SPT-96L-1-30K7	28464	99	27934	97	27448	96	27781	97	287
ORX-3-SPT-96L-1-30K8	26429	92	25936	90	25485	89	25795	90	287
ORX-3-SPT-96L-1-35K8	26429	92	25936	90	25485	89	25795	90	287
ORX-3-SPT-96L-1-40K7	30756	107	30183	105	29657	103	30018	105	287
ORX-3-SPT-96L-1-40K8	28464	99	27934	97	27448	96	27781	97	287
ORX-3-SPT-96L-1-50K7	30756	107	30183	105	29657	103	30018	105	287
ORX-3-SPT-96L-1-50K8	28464	99	27934	97	27448	96	27781	97	287

PRODUCT SPECIFICATIONS

SINGLE ARM POST TOP - 96L

LUMEN CHART - PERFORMANCE SILICONE MICRO OPTICS

PART NUMBER	T4FTW	LPW	T4FTW CTG	LPW	T4FTW DPCL	LPW	T5W	LPW	T5W CTG	LPW	T5W DPCL	LPW	WATTAGE
ORX-3-SPT-96L-35-27K7	10080	101	8568	86	NA	NA	10929	109	9290	93	NA	NA	100
ORX-3-SPT-96L-35-27K8	9439	94	8023	80	NA	NA	10234	102	8700	87	NA	NA	100
ORX-3-SPT-96L-35-30K7	10899	109	9264	93	NA	NA	11817	118	10044	100	NA	NA	100
ORX-3-SPT-96L-35-30K8	10122	101	8603	86	NA	NA	10974	110	9328	93	NA	NA	100
ORX-3-SPT-96L-35-35K8	10122	101	8603	86	NA	NA	10974	110	9328	93	NA	NA	100
ORX-3-SPT-96L-35-40K7	11776	118	10010	100	NA	NA	12768	128	10853	109	NA	NA	100
ORX-3-SPT-96L-35-40K8	10900	109	9265	93	NA	NA	11818	118	10046	100	NA	NA	100
ORX-3-SPT-96L-35-50K7	11776	118	10010	100	NA	NA	12768	128	10853	109	NA	NA	100
ORX-3-SPT-96L-35-50K8	10900	109	9265	93	NA	NA	11818	118	10046	100	NA	NA	100
ORX-3-SPT-96L-53-27K7	14160	96	12036	81	NA	NA	16428	111	13964	94	NA	NA	148
ORX-3-SPT-96L-53-27K8	13260	90	11271	76	NA	NA	15384	104	13077	88	NA	NA	148
ORX-3-SPT-96L-53-30K7	15310	103	13014	88	NA	NA	17762	120	15098	102	NA	NA	148
ORX-3-SPT-96L-53-30K8	14218	96	12086	82	NA	NA	16495	111	14021	95	NA	NA	148
ORX-3-SPT-96L-53-35K8	14218	96	12086	82	NA	NA	16495	111	14021	95	NA	NA	148
ORX-3-SPT-96L-53-40K7	16542	112	14061	95	NA	NA	19192	130	16313	110	NA	NA	148
ORX-3-SPT-96L-53-40K8	15312	103	13015	88	NA	NA	17764	120	15100	102	NA	NA	148
ORX-3-SPT-96L-53-50K7	16542	112	14061	95	NA	NA	19192	130	16313	110	NA	NA	148
ORX-3-SPT-96L-53-50K8	15312	103	13015	88	NA	NA	17764	120	15100	102	NA	NA	148
ORX-3-SPT-96L-7-27K7	17658	91	15009	77	NA	NA	20646	106	17549	90	NA	NA	195
ORX-3-SPT-96L-7-27K8	16536	85	14055	72	NA	NA	19334	99	16434	84	NA	NA	195
ORX-3-SPT-96L-7-30K7	19091	98	16228	83	NA	NA	22323	114	18974	97	NA	NA	195
ORX-3-SPT-96L-7-30K8	17729	91	15071	77	NA	NA	20731	106	17621	90	NA	NA	195
ORX-3-SPT-96L-7-35K8	17729	91	15071	77	NA	NA	20731	106	17621	90	NA	NA	195
ORX-3-SPT-96L-7-40K7	20628	106	17534	90	NA	NA	24120	124	20502	105	NA	NA	195
ORX-3-SPT-96L-7-40K8	19094	98	16230	83	NA	NA	22326	114	18977	97	NA	NA	195
ORX-3-SPT-96L-7-50K7	20628	106	17534	90	NA	NA	24120	124	20502	105	NA	NA	195
ORX-3-SPT-96L-7-50K8	19094	98	16230	83	NA	NA	22326	114	18977	97	NA	NA	195
ORX-3-SPT-96L-1-27K7	25699	89	NA	NA	NA	NA	28698	99	NA	NA	NA	NA	290
ORX-3-SPT-96L-1-27K8	24066	83	NA	NA	NA	NA	26874	93	NA	NA	NA	NA	290
ORX-3-SPT-96L-1-30K7	27786	96	NA	NA	NA	NA	31028	107	NA	NA	NA	NA	290
ORX-3-SPT-96L-1-30K8	25804	89	NA	NA	NA	NA	28815	99	NA	NA	NA	NA	290
ORX-3-SPT-96L-1-35K8	25804	89	NA	NA	NA	NA	28815	99	NA	NA	NA	NA	290
ORX-3-SPT-96L-1-40K7	30022	104	NA	NA	NA	NA	33526	116	NA	NA	NA	NA	290
ORX-3-SPT-96L-1-40K8	27789	96	NA	NA	NA	NA	31032	107	NA	NA	NA	NA	290
ORX-3-SPT-96L-1-50K7	30022	104	NA	NA	NA	NA	33526	116	NA	NA	NA	NA	290
ORX-3-SPT-96L-1-50K8	27789	96	NA	NA	NA	NA	31032	107	NA	NA	NA	NA	290



701 Kingshill Place, Carson, CA 90746
Call Us Today (310) 341-2037

nlsighting.com

PRODUCT SPECIFICATIONS

SINGLE ARM POST TOP - 128L

LUMEN CHART - STANDARD SILICONE MICRO OPTICS									
PART NUMBER	T2	LPW	T3	LPW	T4	LPW	T5	LPW	WATTAGE
ORX-3-SPT-128L-35-27K7	12286	92	12057	90	11847	88	11991	89	134
ORX-3-SPT-128L-35-27K8	11503	86	11289	84	11092	83	11227	84	134
ORX-3-SPT-128L-35-30K7	13283	99	13036	97	12809	96	12964	97	134
ORX-3-SPT-128L-35-30K8	12334	92	12104	90	11893	89	12038	90	134
ORX-3-SPT-128L-35-35K8	12334	92	12104	90	11893	89	12038	90	134
ORX-3-SPT-128L-35-40K7	14353	107	14085	105	13840	103	14008	105	134
ORX-3-SPT-128L-35-40K8	13283	99	13036	97	12809	96	12964	97	134
ORX-3-SPT-128L-35-50K7	14353	107	14085	105	13840	103	14008	105	134
ORX-3-SPT-128L-35-50K8	13283	99	13036	97	12809	96	12964	97	134
ORX-3-SPT-128L-53-27K7	18604	92	18257	90	17940	88	18158	89	203
ORX-3-SPT-128L-53-27K8	17419	86	17095	84	16797	83	17001	84	203
ORX-3-SPT-128L-53-30K7	20114	99	19740	97	19396	96	19632	97	203
ORX-3-SPT-128L-53-30K8	18676	92	18328	90	18010	89	18228	90	203
ORX-3-SPT-128L-53-35K8	18676	92	18328	90	18010	89	18228	90	203
ORX-3-SPT-128L-53-40K7	21734	107	21329	105	20958	103	21212	104	203
ORX-3-SPT-128L-53-40K8	20114	99	19740	97	19396	96	19632	97	203
ORX-3-SPT-128L-53-50K7	21734	107	21329	105	20958	103	21212	104	203
ORX-3-SPT-128L-53-50K8	20114	99	19740	97	19396	96	19632	97	203
ORX-3-SPT-128L-7-27K7	24571	92	24114	90	23694	88	23982	89	268
ORX-3-SPT-128L-7-27K8	23007	86	22578	84	22185	83	22455	84	268
ORX-3-SPT-128L-7-30K7	26567	99	26072	97	25618	96	25929	97	268
ORX-3-SPT-128L-7-30K8	24667	92	24207	90	23786	89	24075	90	268
ORX-3-SPT-128L-7-35K8	24667	92	24207	90	23786	89	24075	90	268
ORX-3-SPT-128L-7-40K7	28705	107	28170	105	27680	103	28016	105	268
ORX-3-SPT-128L-7-40K8	26567	99	26072	97	25618	96	25929	97	268
ORX-3-SPT-128L-7-50K7	28705	107	28170	105	27680	103	28016	105	268
ORX-3-SPT-128L-7-50K8	26567	99	26072	97	25618	96	25929	97	268
ORX-3-SPT-128L-1-27K7	35102	92	34448	90	33849	89	34260	90	382
ORX-3-SPT-128L-1-27K8	32867	86	32255	84	31693	83	32078	84	382
ORX-3-SPT-128L-1-30K7	37952	99	37245	98	36597	96	37042	97	382
ORX-3-SPT-128L-1-30K8	35239	92	34582	91	33980	89	34393	90	382
ORX-3-SPT-128L-1-35K8	35239	92	34582	91	33980	89	34393	90	382
ORX-3-SPT-128L-1-40K7	41007	107	40243	105	39543	104	40023	105	382
ORX-3-SPT-128L-1-40K8	37952	99	37245	98	36597	96	37042	97	382
ORX-3-SPT-128L-1-50K7	41007	107	40243	105	39543	104	40023	105	382
ORX-3-SPT-128L-1-50K8	37952	99	37245	98	36597	96	37042	97	382

PRODUCT SPECIFICATIONS

SINGLE ARM POST TOP - 128L

LUMEN CHART - PERFORMANCE SILICONE MICRO OPTICS

PART NUMBER	T4FTW	LPW	T4FTW CTG	LPW	T4FTW DPCL	LPW	T5W	LPW	T5W CTG	LPW	T5W DPCL	LPW	WATTAGE
ORX-3-SPT-128L-35-27K7	13100	100	11648	89	NA	NA	13308	102	11312	86	NA	NA	131
ORX-3-SPT-128L-35-27K8	12267	94	10908	83	NA	NA	12462	95	10593	81	NA	NA	131
ORX-3-SPT-128L-35-30K7	14164	108	12594	96	NA	NA	14389	110	12231	93	NA	NA	131
ORX-3-SPT-128L-35-30K8	13154	100	11696	89	NA	NA	13363	102	11359	87	NA	NA	131
ORX-3-SPT-128L-35-35K8	13154	100	11696	89	NA	NA	13363	102	11359	87	NA	NA	131
ORX-3-SPT-128L-35-40K7	15304	117	13608	104	NA	NA	15547	119	13215	101	NA	NA	131
ORX-3-SPT-128L-35-40K8	14166	108	12596	96	NA	NA	14391	110	12232	93	NA	NA	131
ORX-3-SPT-128L-35-50K7	15304	117	13608	104	NA	NA	15547	119	13215	101	NA	NA	131
ORX-3-SPT-128L-35-50K8	14166	108	12596	96	NA	NA	14391	110	12232	93	NA	NA	131
ORX-3-SPT-128L-53-27K7	18975	95	16639	83	NA	NA	20660	103	17561	88	NA	NA	200
ORX-3-SPT-128L-53-27K8	17769	89	15582	78	NA	NA	19347	97	16445	82	NA	NA	200
ORX-3-SPT-128L-53-30K7	20515	103	17990	90	NA	NA	22337	112	18987	95	NA	NA	200
ORX-3-SPT-128L-53-30K8	19052	95	16707	84	NA	NA	20744	104	17633	88	NA	NA	200
ORX-3-SPT-128L-53-35K8	19052	95	16707	84	NA	NA	20744	104	17633	88	NA	NA	200
ORX-3-SPT-128L-53-40K7	22167	111	19438	97	NA	NA	24135	121	20515	103	NA	NA	200
ORX-3-SPT-128L-53-40K8	20518	103	17992	90	NA	NA	22340	112	18989	95	NA	NA	200
ORX-3-SPT-128L-53-50K7	22167	111	19438	97	NA	NA	24135	121	20515	103	NA	NA	200
ORX-3-SPT-128L-53-50K8	20518	103	17992	90	NA	NA	22340	112	18989	95	NA	NA	200
ORX-3-SPT-128L-7-27K7	23423	90	20684	79	NA	NA	25401	97	21591	83	NA	NA	261
ORX-3-SPT-128L-7-27K8	21934	84	19369	74	NA	NA	23787	91	20219	77	NA	NA	261
ORX-3-SPT-128L-7-30K7	25325	97	22363	86	NA	NA	27464	105	23344	89	NA	NA	261
ORX-3-SPT-128L-7-30K8	23519	90	20768	80	NA	NA	25505	98	21679	83	NA	NA	261
ORX-3-SPT-128L-7-35K8	23519	90	20768	80	NA	NA	25505	98	21679	83	NA	NA	261
ORX-3-SPT-128L-7-40K7	27364	105	24163	93	NA	NA	29674	114	25223	97	NA	NA	261
ORX-3-SPT-128L-7-40K8	25329	97	22366	86	NA	NA	27467	105	23347	89	NA	NA	261
ORX-3-SPT-128L-7-50K7	27364	105	24163	93	NA	NA	29674	114	25233	97	NA	NA	261
ORX-3-SPT-128L-7-50K8	25329	97	22366	86	NA	NA	27467	105	23356	89	NA	NA	261
ORX-3-SPT-128L-1-27K7	34459	88	NA	NA	NA	NA	34730	89	NA	NA	NA	NA	392
ORX-3-SPT-128L-1-27K8	32269	82	NA	NA	NA	NA	32523	83	NA	NA	NA	NA	392
ORX-3-SPT-128L-1-30K7	37257	95	NA	NA	NA	NA	37549	96	NA	NA	NA	NA	392
ORX-3-SPT-128L-1-30K8	34600	88	NA	NA	NA	NA	34871	89	NA	NA	NA	NA	392
ORX-3-SPT-128L-1-35K8	34600	88	NA	NA	NA	NA	34871	89	NA	NA	NA	NA	392
ORX-3-SPT-128L-1-40K7	40256	103	NA	NA	NA	NA	40572	104	NA	NA	NA	NA	392
ORX-3-SPT-128L-1-40K8	37262	95	NA	NA	NA	NA	37554	96	NA	NA	NA	NA	392
ORX-3-SPT-128L-1-50K7	40256	103	NA	NA	NA	NA	40572	104	NA	NA	NA	NA	392
ORX-3-SPT-128L-1-50K8	37262	95	NA	NA	NA	NA	37554	96	NA	NA	NA	NA	392



701 Kingshill Place, Carson, CA 90746
Call Us Today (310) 341-2037

nlsighting.com

PRODUCT SPECIFICATIONS

SINGLE ARM POST TOP - 144L

LUMEN CHART - STANDARD SILICONE MICRO OPTICS									
PART NUMBER	T2	LPW	T3	LPW	T4	LPW	T5	LPW	WATTAGE
ORX-3-SPT-144L-35-27K7	13821	92	13564	90	13328	88	13490	89	151
ORX-3-SPT-144L-35-27K8	12941	86	12700	84	12479	83	12631	84	151
ORX-3-SPT-144L-35-30K7	14944	99	14666	97	14410	95	14585	97	151
ORX-3-SPT-144L-35-30K8	13875	92	13616	90	13379	89	13542	90	151
ORX-3-SPT-144L-35-35K8	13875	92	13616	90	13379	89	13542	90	151
ORX-3-SPT-144L-35-40K7	16147	107	15846	105	15570	103	15759	104	151
ORX-3-SPT-144L-35-40K8	14944	99	14666	97	14410	95	14585	97	151
ORX-3-SPT-144L-35-50K7	16147	107	15846	105	15570	103	15759	104	151
ORX-3-SPT-144L-35-50K8	14944	99	14666	97	14410	95	14585	97	151
ORX-3-SPT-144L-53-27K7	20930	92	20540	90	20182	89	20428	90	228
ORX-3-SPT-144L-53-27K8	19597	86	19232	84	18897	83	19127	84	228
ORX-3-SPT-144L-53-30K7	22629	99	22207	97	21821	96	22086	97	228
ORX-3-SPT-144L-53-30K8	21011	92	20620	90	20260	89	20507	90	228
ORX-3-SPT-144L-53-35K8	21011	92	20620	90	20260	89	20507	90	228
ORX-3-SPT-144L-53-40K7	24451	107	23995	105	23577	103	23864	105	228
ORX-3-SPT-144L-53-40K8	22629	99	22207	97	21821	96	22086	97	228
ORX-3-SPT-144L-53-50K7	24451	107	23995	105	23577	103	23864	105	228
ORX-3-SPT-144L-53-50K8	22629	99	22207	97	21821	96	22086	97	228
ORX-3-SPT-144L-7-27K7	27643	92	27128	90	26656	89	26980	90	301
ORX-3-SPT-144L-7-27K8	25883	86	25401	84	24959	83	25262	84	301
ORX-3-SPT-144L-7-30K7	29887	99	29330	97	28820	96	29170	97	301
ORX-3-SPT-144L-7-30K8	27750	92	27233	90	26759	89	27085	90	301
ORX-3-SPT-144L-7-35K8	27750	92	27233	90	26759	89	27085	90	301
ORX-3-SPT-144L-7-40K7	32293	107	31692	105	31140	103	31518	105	301
ORX-3-SPT-144L-7-40K8	29887	99	29330	97	28820	96	29170	97	301
ORX-3-SPT-144L-7-50K7	32293	107	31692	105	31140	103	31518	105	301
ORX-3-SPT-144L-7-50K8	29887	99	29330	97	28820	96	29170	97	301
ORX-3-SPT-144L-1A-27K7	39490	92	38754	90	38080	89	38542	90	430
ORX-3-SPT-144L-1A-27K8	36975	86	36286	84	35655	83	36088	84	430
ORX-3-SPT-144L-1A-30K7	42696	99	41901	97	41171	96	41672	97	430
ORX-3-SPT-144L-1A-30K8	39644	92	38905	90	38228	89	38692	90	430
ORX-3-SPT-144L-1A-35K8	39644	92	38905	90	38228	89	38692	90	430
ORX-3-SPT-144L-1A-40K7	46133	107	45274	105	44485	103	45026	105	430
ORX-3-SPT-144L-1A-40K8	42696	99	41901	97	41171	96	41672	97	430
ORX-3-SPT-144L-1A-50K7	46133	107	45274	105	44485	103	45026	105	430
ORX-3-SPT-144L-1A-50K8	42696	99	41901	97	41171	96	41672	97	430

PRODUCT SPECIFICATIONS

SINGLE ARM POST TOP - 144L

LUMEN CHART - PERFORMANCE SILICONE MICRO OPTICS													
PART NUMBER	T4FTW	LPW	T4FTW CTG	LPW	T4FTW DPCL	LPW	T5W	LPW	T5W CTG	LPW	T5W DPCL	LPW	WATTAGE
ORX-3-SPT-144L-35-27K7	13704	91	11648	78	NA	NA	15492	103	13168	88	NA	NA	150
ORX-3-SPT-144L-35-27K8	12833	86	10908	73	NA	NA	14507	97	12331	82	NA	NA	150
ORX-3-SPT-144L-35-30K7	14816	99	12594	84	NA	NA	16750	112	14238	95	NA	NA	150
ORX-3-SPT-144L-35-30K8	13759	92	11696	78	NA	NA	15555	104	13223	88	NA	NA	150
ORX-3-SPT-144L-35-35K8	13759	92	11696	78	NA	NA	15555	104	13223	88	NA	NA	150
ORX-3-SPT-144L-35-40K7	16009	107	13608	91	NA	NA	18098	121	15384	103	NA	NA	150
ORX-3-SPT-144L-35-40K8	14818	99	12596	84	NA	NA	16752	112	14240	95	NA	NA	150
ORX-3-SPT-144L-35-50K7	16009	107	13608	91	NA	NA	18098	121	15384	103	NA	NA	150
ORX-3-SPT-144L-35-50K8	14818	99	12596	84	NA	NA	16752	112	14240	95	NA	NA	150
ORX-3-SPT-144L-53-27K7	19576	86	16639	73	NA	NA	23832	105	20258	89	NA	NA	227
ORX-3-SPT-144L-53-27K8	18332	81	15582	69	NA	NA	22317	98	18971	84	NA	NA	227
ORX-3-SPT-144L-53-30K7	21165	93	17990	79	NA	NA	25767	114	21902	96	NA	NA	227
ORX-3-SPT-144L-53-30K8	19655	87	16707	74	NA	NA	23929	105	20340	90	NA	NA	227
ORX-3-SPT-144L-53-35K8	19655	87	16707	74	NA	NA	23929	105	20340	90	NA	NA	227
ORX-3-SPT-144L-53-40K7	22869	101	19438	86	NA	NA	27842	123	23665	104	NA	NA	227
ORX-3-SPT-144L-53-40K8	21168	93	17992	79	NA	NA	25771	114	21905	96	NA	NA	227
ORX-3-SPT-144L-53-50K7	22869	101	19438	86	NA	NA	27842	123	23665	104	NA	NA	227
ORX-3-SPT-144L-53-50K8	21168	93	17992	79	NA	NA	25771	114	21905	96	NA	NA	227
ORX-3-SPT-144L-7-27K7	24334	81	20684	69	NA	NA	29448	98	25031	83	NA	NA	300
ORX-3-SPT-144L-7-27K8	22788	76	19369	65	NA	NA	27577	92	23440	78	NA	NA	300
ORX-3-SPT-144L-7-30K7	26310	88	22363	75	NA	NA	31839	106	27063	90	NA	NA	300
ORX-3-SPT-144L-7-30K8	24434	81	20768	69	NA	NA	29568	99	25133	84	NA	NA	300
ORX-3-SPT-144L-7-35K8	24434	81	20768	69	NA	NA	29568	99	25133	84	NA	NA	300
ORX-3-SPT-144L-7-40K7	28427	95	24163	81	NA	NA	34402	115	29242	97	NA	NA	300
ORX-3-SPT-144L-7-40K8	26312	88	22366	75	NA	NA	31843	106	27067	90	NA	NA	300
ORX-3-SPT-144L-7-50K7	28427	95	24163	81	NA	NA	34402	115	29242	97	NA	NA	300
ORX-3-SPT-144L-7-50K8	26312	88	22366	75	NA	NA	31843	106	27067	90	NA	NA	300
ORX-3-SPT-144L-1A-27K7	34186	79	NA	NA	NA	NA	39030	90	NA	NA	NA	NA	432
ORX-3-SPT-144L-1A-27K8	32013	74	NA	NA	NA	NA	36550	85	NA	NA	NA	NA	432
ORX-3-SPT-144L-1A-30K7	36962	86	NA	NA	NA	NA	42199	98	NA	NA	NA	NA	432
ORX-3-SPT-144L-1A-30K8	34326	79	NA	NA	NA	NA	39189	91	NA	NA	NA	NA	432
ORX-3-SPT-144L-1A-35K8	34326	79	NA	NA	NA	NA	39189	91	NA	NA	NA	NA	432
ORX-3-SPT-144L-1A-40K7	39937	92	NA	NA	NA	NA	45596	106	NA	NA	NA	NA	432
ORX-3-SPT-144L-1A-40K8	36966	86	NA	NA	NA	NA	42204	98	NA	NA	NA	NA	432
ORX-3-SPT-144L-1A-50K7	39937	92	NA	NA	NA	NA	45596	106	NA	NA	NA	NA	432
ORX-3-SPT-144L-1A-50K8	36966	86	NA	NA	NA	NA	42204	98	NA	NA	NA	NA	432



701 Kingshill Place, Carson, CA 90746
Call Us Today (310) 341-2037

nlsighting.com

PRODUCT SPECIFICATIONS

DOUBLE ARM POST TOP - 80L

LUMEN CHART - STANDARD SILICONE MICRO OPTICS									
PART NUMBER	T2	LPW	T3	LPW	T4	LPW	T5	LPW	WATTAGE
ORX-3-DPT-80L-35-27K7	7165	85	7046	84	7166	85	7631	91	84
ORX-3-DPT-80L-35-27K8	6710	80	6597	79	6710	80	7145	85	84
ORX-3-DPT-80L-35-30K7	7747	92	7618	91	7748	92	8251	98	84
ORX-3-DPT-80L-35-30K8	7193	86	7073	84	7194	86	7661	91	84
ORX-3-DPT-80L-35-35K8	7193	86	7073	84	7194	86	7661	91	84
ORX-3-DPT-80L-35-40K7	8371	100	8231	98	8372	100	8915	106	84
ORX-3-DPT-80L-35-40K8	7747	92	7618	91	7748	92	8251	98	84
ORX-3-DPT-80L-35-50K7	8371	100	8231	98	8372	100	8915	106	84
ORX-3-DPT-80L-35-50K8	7747	92	7618	91	7748	92	8251	98	84
ORX-3-DPT-80L-53-27K7	10851	85	10669	84	10852	85	11555	91	127
ORX-3-DPT-80L-53-27K8	10160	80	9990	79	10161	80	10820	85	127
ORX-3-DPT-80L-53-30K7	11732	92	11536	91	11733	92	12494	98	127
ORX-3-DPT-80L-53-30K8	10893	86	10711	84	10894	86	11600	91	127
ORX-3-DPT-80L-53-35K8	10893	86	10711	84	10894	86	11600	91	127
ORX-3-DPT-80L-53-40K7	12676	100	12464	98	12678	100	13499	106	127
ORX-3-DPT-80L-53-40K8	11732	92	11536	91	11733	92	12494	98	127
ORX-3-DPT-80L-53-50K7	12676	100	12464	98	12678	100	13499	106	127
ORX-3-DPT-80L-53-50K8	11732	92	11536	91	11733	92	12494	98	127
ORX-3-DPT-80L-7-27K7	14331	86	14092	84	14333	86	15262	91	167
ORX-3-DPT-80L-7-27K8	13419	80	13195	79	13420	80	14290	86	167
ORX-3-DPT-80L-7-30K7	15495	93	15236	91	15497	93	16502	99	167
ORX-3-DPT-80L-7-30K8	14387	86	14147	85	14389	86	15321	92	167
ORX-3-DPT-80L-7-35K8	14387	86	14147	85	14389	86	15321	92	167
ORX-3-DPT-80L-7-40K7	16742	100	16462	99	16744	100	17830	107	167
ORX-3-DPT-80L-7-40K8	15495	93	15236	91	15497	93	16502	99	167
ORX-3-DPT-80L-7-50K7	16742	100	16462	99	16744	100	17830	107	167
ORX-3-DPT-80L-7-50K8	15495	93	15236	91	15497	93	16502	99	167
ORX-3-DPT-80L-1-27K7	20473	86	20131	84	20476	86	21803	91	239
ORX-3-DPT-80L-1-27K8	19169	80	18849	79	19172	80	20415	85	239
ORX-3-DPT-80L-1-30K7	22135	93	21766	91	22138	93	23574	99	239
ORX-3-DPT-80L-1-30K8	20552	86	20209	85	20555	86	21888	92	239
ORX-3-DPT-80L-1-35K8	20552	86	20209	85	20555	86	21888	92	239
ORX-3-DPT-80L-1-40K7	23917	100	23518	98	23921	100	25471	107	239
ORX-3-DPT-80L-1-40K8	22135	93	21766	91	22138	93	23574	99	239
ORX-3-DPT-80L-1-50K7	23917	100	23518	98	23921	100	25471	107	239
ORX-3-DPT-80L-1-50K8	22135	93	21766	91	22138	93	23574	99	239

PRODUCT SPECIFICATIONS

DOUBLE ARM POST TOP - 80L

LUMEN CHART - PERFORMANCE SILICONE MICRO OPTICS

PART NUMBER	T4FTW	LPW	T4FTW CTG	LPW	T4FTW DPCL	LPW	T5W	LPW	T5W CTG	LPW	T5W DPCL	LPW	WATTAGE
ORX-3-DPT-80L-35-27K7	8416	99	7154	84	NA	NA	9429	111	8015	94	NA	NA	85
ORX-3-DPT-80L-35-27K8	7881	93	6699	79	NA	NA	8830	104	7506	88	NA	NA	85
ORX-3-DPT-80L-35-30K7	9099	107	7734	91	NA	NA	10195	120	8665	102	NA	NA	85
ORX-3-DPT-80L-35-30K8	8450	99	7182	84	NA	NA	9468	111	8047	95	NA	NA	85
ORX-3-DPT-80L-35-35K8	8450	99	7182	84	NA	NA	9468	111	8047	95	NA	NA	85
ORX-3-DPT-80L-35-40K7	9832	116	8357	98	NA	NA	11015	130	9363	110	NA	NA	85
ORX-3-DPT-80L-35-40K8	9101	107	7735	91	NA	NA	10196	120	8667	102	NA	NA	85
ORX-3-DPT-80L-35-50K7	9832	116	8357	98	NA	NA	11015	130	9363	110	NA	NA	85
ORX-3-DPT-80L-35-50K8	9101	107	7735	91	NA	NA	10196	120	8667	102	NA	NA	85
ORX-3-DPT-80L-53-27K7	12206	94	10375	80	NA	NA	14643	113	12446	96	NA	NA	130
ORX-3-DPT-80L-53-27K8	11430	88	9716	75	NA	NA	13712	105	11655	90	NA	NA	130
ORX-3-DPT-80L-53-30K7	13197	102	11217	86	NA	NA	15832	122	13457	104	NA	NA	130
ORX-3-DPT-80L-53-30K8	12256	94	10417	80	NA	NA	14703	113	12497	96	NA	NA	130
ORX-3-DPT-80L-53-35K8	12256	94	10417	80	NA	NA	14703	113	12497	96	NA	NA	130
ORX-3-DPT-80L-53-40K7	14259	110	12120	93	NA	NA	17106	132	14540	112	NA	NA	130
ORX-3-DPT-80L-53-40K8	13198	102	11218	86	NA	NA	15834	122	13458	104	NA	NA	130
ORX-3-DPT-80L-53-50K7	14259	110	12120	93	NA	NA	17106	132	14540	112	NA	NA	130
ORX-3-DPT-80L-53-50K8	13198	102	11218	86	NA	NA	15834	122	13458	104	NA	NA	130
ORX-3-DPT-80L-7-27K7	15091	89	12827	75	NA	NA	17988	106	15290	90	NA	NA	170
ORX-3-DPT-80L-7-27K8	14132	83	12012	71	NA	NA	16845	99	14318	84	NA	NA	170
ORX-3-DPT-80L-7-30K7	16316	96	13869	82	NA	NA	19448	114	16531	97	NA	NA	170
ORX-3-DPT-80L-7-30K8	15152	89	12880	76	NA	NA	18061	106	15352	90	NA	NA	170
ORX-3-DPT-80L-7-35K8	15152	89	12880	76	NA	NA	18061	106	15352	90	NA	NA	170
ORX-3-DPT-80L-7-40K7	17629	104	14985	88	NA	NA	21014	124	17862	105	NA	NA	170
ORX-3-DPT-80L-7-40K8	16318	96	13870	82	NA	NA	19451	114	16533	97	NA	NA	170
ORX-3-DPT-80L-7-50K7	17629	104	14985	88	NA	NA	21014	124	17862	105	NA	NA	170
ORX-3-DPT-80L-7-50K8	16318	96	13870	82	NA	NA	19451	114	16533	97	NA	NA	170
ORX-3-DPT-80L-1-27K7	22063	87	NA	NA	NA	NA	24392	96	NA	NA	NA	NA	254
ORX-3-DPT-80L-1-27K8	20661	81	NA	NA	NA	NA	22842	90	NA	NA	NA	NA	254
ORX-3-DPT-80L-1-30K7	23855	94	NA	NA	NA	NA	26372	104	NA	NA	NA	NA	254
ORX-3-DPT-80L-1-30K8	22154	87	NA	NA	NA	NA	24491	96	NA	NA	NA	NA	254
ORX-3-DPT-80L-1-35K8	22154	87	NA	NA	NA	NA	24491	96	NA	NA	NA	NA	254
ORX-3-DPT-80L-1-40K7	25775	101	NA	NA	NA	NA	28495	112	NA	NA	NA	NA	254
ORX-3-DPT-80L-1-40K8	23858	94	NA	NA	NA	NA	26375	104	NA	NA	NA	NA	254
ORX-3-DPT-80L-1-50K7	25775	101	NA	NA	NA	NA	28495	112	NA	NA	NA	NA	254
ORX-3-DPT-80L-1-50K8	23858	94	NA	NA	NA	NA	26375	104	NA	NA	NA	NA	254



701 Kingshill Place, Carson, CA 90746
 Call Us Today (310) 341-2037

nlsighting.com

PRODUCT SPECIFICATIONS

DOUBLE ARM POST TOP - 96L

LUMEN CHARTS - STANDARD SILICONE MICRO OPTICS									
PART NUMBER	T2	LPW	T3	LPW	T4	LPW	T5	LPW	WATTAGE
ORX-3-DPT-96L-35-27K7	8598	86	8455	85	8600	86	9157	92	100
ORX-3-DPT-96L-35-27K8	8051	81	7917	79	8052	81	8574	86	100
ORX-3-DPT-96L-35-30K7	9297	93	9142	91	9298	93	9901	99	100
ORX-3-DPT-96L-35-30K8	8632	86	8488	85	8633	86	9193	92	100
ORX-3-DPT-96L-35-35K8	8632	86	8488	85	8633	86	9193	92	100
ORX-3-DPT-96L-35-40K7	10045	100	9877	99	10046	100	10698	107	100
ORX-3-DPT-96L-35-40K8	9297	93	9142	91	9298	93	9901	99	100
ORX-3-DPT-96L-35-50K7	10045	100	9877	99	10046	100	10698	107	100
ORX-3-DPT-96L-35-50K8	9297	93	9142	91	9298	93	9901	99	100
ORX-3-DPT-96L-53-27K7	13021	86	12803	84	13022	86	13867	91	152
ORX-3-DPT-96L-53-27K8	12192	80	11988	79	12193	80	12983	85	152
ORX-3-DPT-96L-53-30K7	14078	93	13843	91	14080	93	14993	99	152
ORX-3-DPT-96L-53-30K8	13072	86	12853	85	13073	86	13921	92	152
ORX-3-DPT-96L-53-35K8	13072	86	12853	85	13073	86	13921	92	152
ORX-3-DPT-96L-53-40K7	15211	100	14957	98	15213	100	16199	107	152
ORX-3-DPT-96L-53-40K8	14078	93	13843	91	14080	93	14993	99	152
ORX-3-DPT-96L-53-50K7	15211	100	14957	98	15213	100	16199	107	152
ORX-3-DPT-96L-53-50K8	14078	93	13843	91	14080	93	14993	99	152
ORX-3-DPT-96L-7-27K7	17197	86	16910	84	17199	86	18314	91	201
ORX-3-DPT-96L-7-27K8	16102	80	15833	79	16104	80	17148	85	201
ORX-3-DPT-96L-7-30K7	18594	93	18283	91	18596	93	19802	99	201
ORX-3-DPT-96L-7-30K8	17264	86	16976	84	17267	86	18386	91	201
ORX-3-DPT-96L-7-35K8	17264	86	16976	84	17267	86	18386	91	201
ORX-3-DPT-96L-7-40K7	20090	100	19755	98	20093	100	21396	106	201
ORX-3-DPT-96L-7-40K8	18594	93	18283	91	18596	93	19802	99	201
ORX-3-DPT-96L-7-50K7	20090	100	19755	98	20093	100	21396	106	201
ORX-3-DPT-96L-7-50K8	18594	93	18283	91	18596	93	19802	99	201
ORX-3-DPT-96L-1-27K7	24567	86	24157	84	24545	86	26163	91	287
ORX-3-DPT-96L-1-27K8	23003	80	22619	79	23007	80	24498	85	287
ORX-3-DPT-96L-1-30K7	26562	93	26119	91	26566	93	28288	99	287
ORX-3-DPT-96L-1-30K8	24663	86	24251	84	24666	86	26265	92	287
ORX-3-DPT-96L-1-35K8	24663	86	24251	84	24666	86	26265	92	287
ORX-3-DPT-96L-1-40K7	28701	100	28221	98	28704	100	30565	106	287
ORX-3-DPT-96L-1-40K8	26562	93	26119	91	26566	93	28288	99	287
ORX-3-DPT-96L-1-50K7	28701	100	28221	98	28704	100	30565	106	287
ORX-3-DPT-96L-1-50K8	26562	93	26119	91	26566	93	28288	99	287

PRODUCT SPECIFICATIONS

DOUBLE ARM POST TOP - 96L

LUMEN CHARTS - PERFORMANCE SILICONE MICRO OPTICS

PART NUMBER	T4FTW	LPW	T4FTW CTG	LPW	T4FTW DPCL	LPW	T5W	LPW	T5W CTG	LPW	T5W DPCL	LPW	WATTAGE
ORX-3-DPT-96L-35-27K7	9555	96	8122	81	NA	NA	10922	109	9283	93	NA	NA	100
ORX-3-DPT-96L-35-27K8	8948	89	7606	76	NA	NA	10228	102	8693	87	NA	NA	100
ORX-3-DPT-96L-35-30K7	10331	103	8781	88	NA	NA	11809	118	10037	100	NA	NA	100
ORX-3-DPT-96L-35-30K8	9594	96	8155	82	NA	NA	10967	110	9321	93	NA	NA	100
ORX-3-DPT-96L-35-35K8	9594	96	8155	82	NA	NA	10967	110	9321	93	NA	NA	100
ORX-3-DPT-96L-35-40K7	11162	112	9488	95	NA	NA	12759	128	10845	108	NA	NA	100
ORX-3-DPT-96L-35-40K8	10332	103	8782	88	NA	NA	11810	118	10038	100	NA	NA	100
ORX-3-DPT-96L-35-50K7	11162	112	9488	95	NA	NA	12759	128	10845	108	NA	NA	100
ORX-3-DPT-96L-53-50K8	10332	103	8782	88	NA	NA	11810	118	10038	100	NA	NA	100
ORX-3-DPT-96L-53-27K7	13384	90	11376	77	NA	NA	16417	111	13955	94	NA	NA	148
ORX-3-DPT-96L-53-27K8	12533	85	10653	72	NA	NA	15374	104	13068	88	NA	NA	148
ORX-3-DPT-96L-53-30K7	14470	98	12300	83	NA	NA	17750	120	15087	102	NA	NA	148
ORX-3-DPT-96L-53-30K8	13438	91	11423	77	NA	NA	16484	111	14011	95	NA	NA	148
ORX-3-DPT-96L-53-35K8	13438	91	11423	77	NA	NA	16484	111	14011	95	NA	NA	148
ORX-3-DPT-96L-53-40K7	15635	106	13290	90	NA	NA	19179	130	16302	110	NA	NA	148
ORX-3-DPT-96L-53-40K8	14472	98	12301	83	NA	NA	17752	120	15089	102	NA	NA	148
ORX-3-DPT-96L-53-50K7	15635	106	13290	90	NA	NA	19179	130	16302	110	NA	NA	148
ORX-3-DPT-96L-53-50K8	14472	98	12301	83	NA	NA	17752	120	15089	102	NA	NA	148
ORX-3-DPT-96L-7-27K7	16636	85	14141	73	NA	NA	20299	104	17254	88	NA	NA	195
ORX-3-DPT-96L-7-27K8	15579	80	13242	68	NA	NA	19009	97	16157	83	NA	NA	195
ORX-3-DPT-96L-7-30K7	17987	92	15289	78	NA	NA	21947	113	18655	96	NA	NA	195
ORX-3-DPT-96L-7-30K8	16704	86	14199	73	NA	NA	20382	105	17325	89	NA	NA	195
ORX-3-DPT-96L-7-35K8	16704	86	14199	73	NA	NA	20382	105	17325	89	NA	NA	195
ORX-3-DPT-96L-7-40K7	19434	100	16519	85	NA	NA	23714	122	20157	103	NA	NA	195
ORX-3-DPT-96L-7-40K8	17988	92	15290	78	NA	NA	21950	113	18658	96	NA	NA	195
ORX-3-DPT-96L-7-50K7	19434	100	16519	85	NA	NA	23714	122	20157	103	NA	NA	195
ORX-3-DPT-96L-7-50K8	17988	92	15290	78	NA	NA	21950	113	18658	96	NA	NA	195
ORX-3-DPT-96L-1-27K7	24365	84	NA	NA	NA	NA	27545	95	NA	NA	NA	NA	290
ORX-3-DPT-96L-1-27K8	22817	79	NA	NA	NA	NA	25794	89	NA	NA	NA	NA	290
ORX-3-DPT-96L-1-30K7	26343	91	NA	NA	NA	NA	29782	103	NA	NA	NA	NA	290
ORX-3-DPT-96L-1-30K8	24464	84	NA	NA	NA	NA	27658	95	NA	NA	NA	NA	290
ORX-3-DPT-96L-1-35K8	24464	84	NA	NA	NA	NA	27658	95	NA	NA	NA	NA	290
ORX-3-DPT-96L-1-40K7	28464	98	NA	NA	NA	NA	32179	111	NA	NA	NA	NA	290
ORX-3-DPT-96L-1-40K8	26347	91	NA	NA	NA	NA	29785	103	NA	NA	NA	NA	290
ORX-3-DPT-96L-1-50K7	28464	98	NA	NA	NA	NA	32179	111	NA	NA	NA	NA	290
ORX-3-DPT-96L-1-50K8	26347	91	NA	NA	NA	NA	29785	103	NA	NA	NA	NA	290



701 Kingshill Place, Carson, CA 90746
 Call Us Today (310) 341-2037

nlsighting.com

PRODUCT SPECIFICATIONS

DOUBLE ARM POST TOP - 128L

LUMEN CHARTS - STANDARD SILICONE MICRO OPTICS									
PART NUMBER	T2	LPW	T3	LPW	T4	LPW	T5	LPW	WATTAGE
ORX-3-DPT-128L-35-27K7	11465	86	11273	84	11467	86	12210	91	134
ORX-3-DPT-128L-35-27K8	10735	80	10555	79	10736	80	11432	85	134
ORX-3-DPT-128L-35-30K7	12396	93	12189	91	12397	93	13201	99	134
ORX-3-DPT-128L-35-30K8	11510	86	11318	84	11511	86	12258	91	134
ORX-3-DPT-128L-35-35K8	11510	86	11318	84	11511	86	12258	91	134
ORX-3-DPT-128L-35-40K7	13394	100	13170	98	13395	100	14264	106	134
ORX-3-DPT-128L-35-40K8	12396	93	12189	91	12397	93	13201	99	134
ORX-3-DPT-128L-35-50K7	13394	100	13170	98	13395	100	14264	106	134
ORX-3-DPT-128L-35-50K8	12396	93	12189	91	12397	93	13201	99	134
ORX-3-DPT-128L-53-27K7	17361	86	17071	84	17364	86	18489	91	203
ORX-3-DPT-128L-53-27K8	16256	80	15984	79	16258	80	17312	85	203
ORX-3-DPT-128L-53-30K7	18771	92	18457	91	18773	92	19990	98	203
ORX-3-DPT-128L-53-30K8	17429	86	17138	84	17431	86	18561	91	203
ORX-3-DPT-128L-53-35K8	17429	86	17138	84	17431	86	18561	91	203
ORX-3-DPT-128L-53-40K7	20282	100	19943	98	20284	100	21599	106	203
ORX-3-DPT-128L-53-40K8	18771	92	18457	91	18773	92	19990	98	203
ORX-3-DPT-128L-53-50K7	20282	100	19943	98	20284	100	21599	106	203
ORX-3-DPT-128L-53-50K8	18771	92	18457	91	18773	92	19990	98	203
ORX-3-DPT-128L-7-27K7	22930	86	22547	84	22933	86	24419	91	268
ORX-3-DPT-128L-7-27K8	21470	80	21111	79	21473	80	22865	85	268
ORX-3-DPT-128L-7-30K7	24792	93	24378	91	24795	93	26402	99	268
ORX-3-DPT-128L-7-30K8	23019	86	22634	84	23022	86	24514	91	268
ORX-3-DPT-128L-7-35K8	23019	86	22634	84	23022	86	24514	91	268
ORX-3-DPT-128L-7-40K7	26787	100	26340	98	26791	100	28527	106	268
ORX-3-DPT-128L-7-40K8	24792	93	24378	91	24795	93	26402	99	268
ORX-3-DPT-128L-7-50K7	26787	100	26340	98	26791	100	28527	106	268
ORX-3-DPT-128L-7-50K8	24792	93	24378	91	24795	93	26402	99	268
ORX-3-DPT-128L-1-27K7	32757	86	32210	84	32761	86	34885	91	382
ORX-3-DPT-128L-1-27K8	30671	80	30159	79	30675	80	32664	86	382
ORX-3-DPT-128L-1-30K7	35417	93	34825	91	35421	93	37718	99	382
ORX-3-DPT-128L-1-30K8	32884	86	32335	85	32889	86	35021	92	382
ORX-3-DPT-128L-1-35K8	32884	86	32335	85	32889	86	35021	92	382
ORX-3-DPT-128L-1-40K7	38267	100	37628	99	38273	100	40754	107	382
ORX-3-DPT-128L-1-40K8	35417	93	34825	91	35421	93	37718	99	382
ORX-3-DPT-128L-1-50K7	38267	100	37628	99	38273	100	40754	107	382
ORX-3-DPT-128L-1-50K8	35417	93	34825	91	35421	93	37718	99	382

PRODUCT SPECIFICATIONS

DOUBLE ARM POST TOP - 128L

LUMEN CHARTS - PERFORMANCE SILICONE MICRO OPTICS

PART NUMBER	T4FTW	LPW	T4FTW CTG	LPW	T4FTW DPCL	LPW	T5W	LPW	T5W CTG	LPW	T5W DPCL	LPW	WATTAGE
ORX-3-DPT-128L-35-27K7	12706	97	10800	82	NA	NA	12467	95	10597	81	NA	NA	131
ORX-3-DPT-128L-35-27K8	11899	91	10114	77	NA	NA	11675	89	9924	76	NA	NA	131
ORX-3-DPT-128L-35-30K7	13738	105	11677	89	NA	NA	13479	103	11457	87	NA	NA	131
ORX-3-DPT-128L-35-30K8	12758	97	10844	83	NA	NA	12518	96	10640	81	NA	NA	131
ORX-3-DPT-128L-35-35K8	12758	97	10844	83	NA	NA	12518	96	10640	81	NA	NA	131
ORX-3-DPT-128L-35-40K7	14844	113	12617	96	NA	NA	14564	111	12379	94	NA	NA	131
ORX-3-DPT-128L-35-40K8	13740	105	11678	89	NA	NA	13481	103	11458	87	NA	NA	131
ORX-3-DPT-128L-35-50K7	14844	113	12617	96	NA	NA	14564	111	12379	94	NA	NA	131
ORX-3-DPT-128L-35-50K8	13740	105	11678	89	NA	NA	13481	103	11458	87	NA	NA	131
ORX-3-DPT-128L-53-27K7	18378	92	15621	78	NA	NA	19373	97	16467	82	NA	NA	200
ORX-3-DPT-128L-53-27K8	17210	86	14628	73	NA	NA	18142	91	15420	77	NA	NA	200
ORX-3-DPT-128L-53-30K7	19870	99	16890	84	NA	NA	20946	105	17804	89	NA	NA	200
ORX-3-DPT-128L-53-30K8	18453	92	15685	78	NA	NA	19452	97	16534	83	NA	NA	200
ORX-3-DPT-128L-53-35K8	18453	92	15685	78	NA	NA	19452	97	16534	83	NA	NA	200
ORX-3-DPT-128L-53-40K7	21470	107	18249	91	NA	NA	22632	113	19237	96	NA	NA	200
ORX-3-DPT-128L-53-40K8	19873	99	16892	84	NA	NA	20949	105	17806	89	NA	NA	200
ORX-3-DPT-128L-53-50K7	21470	107	18249	91	NA	NA	22632	113	19237	96	NA	NA	200
ORX-3-DPT-128L-53-50K8	19873	99	16892	84	NA	NA	20949	105	17806	89	NA	NA	200
ORX-3-DPT-128L-7-27K7	22651	87	19253	74	NA	NA	23729	91	20170	77	NA	NA	261
ORX-3-DPT-128L-7-27K8	21211	81	18029	69	NA	NA	22221	85	18888	72	NA	NA	261
ORX-3-DPT-128L-7-30K7	24490	94	20816	80	NA	NA	25656	98	21807	84	NA	NA	261
ORX-3-DPT-128L-7-30K8	22743	87	19331	74	NA	NA	23826	91	20252	78	NA	NA	261
ORX-3-DPT-128L-7-35K8	22743	87	19331	74	NA	NA	23826	91	20252	78	NA	NA	261
ORX-3-DPT-128L-7-40K7	26461	101	22492	86	NA	NA	27721	106	23563	90	NA	NA	261
ORX-3-DPT-128L-7-40K8	24493	94	20819	80	NA	NA	25659	98	21810	84	NA	NA	261
ORX-3-DPT-128L-7-50K7	26461	101	22492	86	NA	NA	27721	106	23563	90	NA	NA	261
ORX-3-DPT-128L-7-50K8	24493	94	20819	80	NA	NA	25659	98	21810	84	NA	NA	261
ORX-3-DPT-128L-1-27K7	33253	85	NA	NA	NA	NA	32598	83	NA	NA	NA	NA	392
ORX-3-DPT-128L-1-27K8	31140	79	NA	NA	NA	NA	30526	78	NA	NA	NA	NA	392
ORX-3-DPT-128L-1-30K7	35953	92	NA	NA	NA	NA	35245	90	NA	NA	NA	NA	392
ORX-3-DPT-128L-1-30K8	33389	85	NA	NA	NA	NA	32731	83	NA	NA	NA	NA	392
ORX-3-DPT-128L-1-35K8	33389	85	NA	NA	NA	NA	32731	83	NA	NA	NA	NA	392
ORX-3-DPT-128L-1-40K7	38847	99	NA	NA	NA	NA	38082	97	NA	NA	NA	NA	392
ORX-3-DPT-128L-1-40K8	35957	92	NA	NA	NA	NA	35249	90	NA	NA	NA	NA	392
ORX-3-DPT-128L-1-50K7	38847	99	NA	NA	NA	NA	38082	97	NA	NA	NA	NA	392
ORX-3-DPT-128L-1-50K8	35957	92	NA	NA	NA	NA	35249	90	NA	NA	NA	NA	392



701 Kingshill Place, Carson, CA 90746
 Call Us Today (310) 341-2037

nlsighting.com

PRODUCT SPECIFICATIONS

DOUBLE ARM POST TOP - 144L

LUMEN CHARTS - STANDARD SILICONE MICRO OPTICS									
PART NUMBER	T2	LPW	T3	LPW	T4	LPW	T5	LPW	WATTAGE
ORX-3-DPT-144L-35-27K7	12898	85	12683	84	12900	85	13736	91	151
ORX-3-DPT-144L-35-27K8	12077	80	11875	79	12078	80	12861	85	151
ORX-3-DPT-144L-35-30K7	13945	92	13713	91	13947	92	14852	98	151
ORX-3-DPT-144L-35-30K8	12948	86	12732	84	12950	86	13789	91	151
ORX-3-DPT-144L-35-35K8	12948	86	12732	84	12950	86	13789	91	151
ORX-3-DPT-144L-35-40K7	15068	100	14816	98	15070	100	16047	106	151
ORX-3-DPT-144L-35-40K8	13945	92	13713	91	13947	92	14852	98	151
ORX-3-DPT-144L-35-50K7	15068	100	14816	98	15070	100	16047	106	151
ORX-3-DPT-144L-35-50K8	13945	92	13713	91	13947	92	14852	98	151
ORX-3-DPT-144L-53-27K7	19531	86	19205	84	19534	86	20800	91	228
ORX-3-DPT-144L-53-27K8	18287	80	17982	79	18290	80	19476	85	228
ORX-3-DPT-144L-53-30K7	21117	93	20765	91	21120	93	22489	99	228
ORX-3-DPT-144L-53-30K8	19607	86	19280	85	19610	86	20881	92	228
ORX-3-DPT-144L-53-35K8	19607	86	19280	85	19610	86	20881	92	228
ORX-3-DPT-144L-53-40K7	22817	100	22436	98	22820	100	24299	107	228
ORX-3-DPT-144L-53-40K8	21117	93	20765	91	21120	93	22489	99	228
ORX-3-DPT-144L-53-50K7	22817	100	22436	98	22820	100	24299	107	228
ORX-3-DPT-144L-53-50K8	21117	93	20765	91	21120	93	22489	99	228
ORX-3-DPT-144L-7-27K7	25796	86	25365	84	25800	86	27472	91	301
ORX-3-DPT-144L-7-27K8	24154	80	23750	79	24157	80	25723	85	301
ORX-3-DPT-144L-7-30K7	27891	93	27425	91	27894	93	29702	99	301
ORX-3-DPT-144L-7-30K8	25896	86	25464	85	25900	86	27579	92	301
ORX-3-DPT-144L-7-35K8	25896	86	25464	85	25900	86	27579	92	301
ORX-3-DPT-144L-7-40K7	30136	100	29632	98	30140	100	32094	107	301
ORX-3-DPT-144L-7-40K8	27891	93	27425	91	27894	93	29702	99	301
ORX-3-DPT-144L-7-50K7	30136	100	29632	98	30140	100	32094	107	301
ORX-3-DPT-144L-7-50K8	27891	93	27425	91	27894	93	29702	99	301
ORX-3-DPT-144L-1A-27K7	36851	86	36236	84	36856	86	39246	91	430
ORX-3-DPT-144L-1A-27K8	34505	80	33929	79	34509	80	36746	85	430
ORX-3-DPT-144L-1A-30K7	39844	93	39178	91	39849	93	42432	99	430
ORX-3-DPT-144L-1A-30K8	36995	86	36377	85	37000	86	39398	92	430
ORX-3-DPT-144L-1A-35K8	36995	86	36377	85	37000	86	39398	92	430
ORX-3-DPT-144L-1A-40K7	43051	100	42332	98	43057	100	45848	107	430
ORX-3-DPT-144L-1A-40K8	39844	93	39178	91	39849	93	42432	99	430
ORX-3-DPT-144L-1A-50K7	43051	100	42332	98	43057	100	45848	107	430
ORX-3-DPT-144L-1A-50K8	39844	93	39178	91	39849	93	42432	99	430

PRODUCT SPECIFICATIONS

DOUBLE ARM POST TOP - 144L

LUMEN CHARTS - PERFORMANCE SILICONE MICRO OPTICS													
PART NUMBER	T4FTW	LPW	T4FTW CTG	LPW	T4FTW DPCL	LPW	T5W	LPW	T5W CTG	LPW	T5W DPCL	LPW	WATTAGE
ORX-3-DPT-144L-35-27K7	14466	96	12296	82	NA	NA	15919	106	13531	90	NA	NA	150
ORX-3-DPT-144L-35-27K8	13547	90	11515	77	NA	NA	14907	99	12671	84	NA	NA	150
ORX-3-DPT-144L-35-30K7	15640	104	13294	89	NA	NA	17212	115	14630	98	NA	NA	150
ORX-3-DPT-144L-35-30K8	14525	97	12346	82	NA	NA	15984	107	13587	91	NA	NA	150
ORX-3-DPT-144L-35-35K8	14525	97	12346	82	NA	NA	15984	107	13587	91	NA	NA	150
ORX-3-DPT-144L-35-40K7	16899	113	14365	96	NA	NA	18597	124	15808	105	NA	NA	150
ORX-3-DPT-144L-35-40K8	15642	104	13296	89	NA	NA	17214	115	14632	98	NA	NA	150
ORX-3-DPT-144L-35-50K7	16899	113	14365	96	NA	NA	18597	124	15808	105	NA	NA	150
ORX-3-DPT-144L-35-50K8	15642	104	13296	89	NA	NA	17214	115	14632	98	NA	NA	150
ORX-3-DPT-144L-53-27K7	20729	91	17620	78	NA	NA	24480	108	20808	92	NA	NA	227
ORX-3-DPT-144L-53-27K8	19412	86	16500	73	NA	NA	22924	101	19486	86	NA	NA	227
ORX-3-DPT-144L-53-30K7	22412	99	19051	84	NA	NA	26467	117	22497	99	NA	NA	227
ORX-3-DPT-144L-53-30K8	20814	92	17692	78	NA	NA	24579	108	20892	92	NA	NA	227
ORX-3-DPT-144L-53-35K8	20814	92	17692	78	NA	NA	24579	108	20892	92	NA	NA	227
ORX-3-DPT-144L-53-40K7	24217	107	20584	91	NA	NA	28598	126	24308	107	NA	NA	227
ORX-3-DPT-144L-53-40K8	22416	99	19053	84	NA	NA	26471	117	22500	99	NA	NA	227
ORX-3-DPT-144L-53-50K7	24217	107	20584	91	NA	NA	28598	126	24308	107	NA	NA	227
ORX-3-DPT-144L-53-50K8	22416	99	19053	84	NA	NA	26471	117	22500	99	NA	NA	227
ORX-3-DPT-144L-7-27K7	25859	86	21980	73	NA	NA	30298	101	25753	86	NA	NA	300
ORX-3-DPT-144L-7-27K8	24216	81	20583	69	NA	NA	28372	95	24116	80	NA	NA	300
ORX-3-DPT-144L-7-30K7	27959	93	23765	79	NA	NA	32758	109	27844	93	NA	NA	300
ORX-3-DPT-144L-7-30K8	25965	87	22070	74	NA	NA	30422	101	25858	86	NA	NA	300
ORX-3-DPT-144L-7-35K8	25965	87	22070	74	NA	NA	30422	101	25858	86	NA	NA	300
ORX-3-DPT-144L-7-40K7	30210	101	25678	86	NA	NA	35395	118	30086	100	NA	NA	300
ORX-3-DPT-144L-7-40K8	27963	93	23768	79	NA	NA	32762	109	27848	93	NA	NA	300
ORX-3-DPT-144L-7-50K7	30210	101	25678	86	NA	NA	35395	118	30086	100	NA	NA	300
ORX-3-DPT-144L-7-50K8	27963	93	23768	79	NA	NA	32762	109	27848	93	NA	NA	300
ORX-3-DPT-144L-1A-27K7	36325	84	NA	NA	NA	NA	39982	93	NA	NA	NA	NA	432
ORX-3-DPT-144L-1A-27K8	34016	79	NA	NA	NA	NA	37441	87	NA	NA	NA	NA	432
ORX-3-DPT-144L-1A-30K7	39275	91	NA	NA	NA	NA	43228	100	NA	NA	NA	NA	432
ORX-3-DPT-144L-1A-30K8	36474	84	NA	NA	NA	NA	40145	93	NA	NA	NA	NA	432
ORX-3-DPT-144L-1A-35K8	36474	84	NA	NA	NA	NA	40145	93	NA	NA	NA	NA	432
ORX-3-DPT-144L-1A-40K7	42436	98	NA	NA	NA	NA	46708	108	NA	NA	NA	NA	432
ORX-3-DPT-144L-1A-40K8	39279	91	NA	NA	NA	NA	43234	100	NA	NA	NA	NA	432
ORX-3-DPT-144L-1A-50K7	42436	98	NA	NA	NA	NA	46708	108	NA	NA	NA	NA	432
ORX-3-DPT-144L-1A-50K8	39279	91	NA	NA	NA	NA	43234	100	NA	NA	NA	NA	432



701 Kingshill Place, Carson, CA 90746
 Call Us Today (310) 341-2037

nlsighting.com

PRODUCT SPECIFICATIONS

BUG RATING CHARTS

SINGLE ARM POST TOP - 80L

BUG RATING CHART - STANDARD SILICONE MICRO OPTICS				
PART NUMBER	T2	T3	T4	T5
ORX-3-SPT-80L-35-27K7	B2-U0-G2	B2-U0-G2	B2-U0-G2	B3-U0-G3
ORX-3-SPT-80L-35-27K8	B1-U0-G2	B2-U0-G2	B2-U0-G2	B3-U0-G3
ORX-3-SPT-80L-35-30K7	B2-U0-G2	B2-U0-G2	B2-U0-G2	B3-U0-G3
ORX-3-SPT-80L-35-30K8	B2-U0-G2	B2-U0-G2	B2-U0-G2	B3-U0-G3
ORX-3-SPT-80L-35-35K8	B2-U0-G2	B2-U0-G2	B2-U0-G2	B3-U0-G3
ORX-3-SPT-80L-35-40K7	B2-U0-G2	B2-U0-G2	B2-U0-G2	B3-U0-G3
ORX-3-SPT-80L-35-40K8	B2-U0-G2	B2-U0-G2	B2-U0-G2	B3-U0-G3
ORX-3-SPT-80L-35-50K7	B2-U0-G2	B2-U0-G2	B2-U0-G2	B3-U0-G3
ORX-3-SPT-80L-35-50K8	B2-U0-G2	B2-U0-G2	B2-U0-G2	B3-U0-G3
ORX-3-SPT-80L-53-27K7	B2-U0-G2	B2-U0-G2	B2-U0-G2	B4-U0-G4
ORX-3-SPT-80L-53-27K8	B2-U0-G2	B2-U0-G2	B2-U0-G2	B4-U0-G4
ORX-3-SPT-80L-53-30K7	B2-U0-G2	B3-U0-G3	B2-U0-G2	B4-U0-G4
ORX-3-SPT-80L-53-30K8	B2-U0-G2	B2-U0-G2	B2-U0-G2	B4-U0-G4
ORX-3-SPT-80L-53-35K8	B2-U0-G2	B2-U0-G2	B2-U0-G2	B4-U0-G4
ORX-3-SPT-80L-53-40K7	B2-U0-G2	B3-U0-G3	B2-U0-G2	B4-U0-G4
ORX-3-SPT-80L-53-40K8	B2-U0-G2	B3-U0-G3	B2-U0-G2	B4-U0-G4
ORX-3-SPT-80L-53-50K7	B2-U0-G2	B3-U0-G3	B2-U0-G2	B4-U0-G4
ORX-3-SPT-80L-53-50K8	B2-U0-G2	B3-U0-G3	B2-U0-G2	B4-U0-G4
ORX-3-SPT-80L-7-27K7	B3-U0-G3	B3-U0-G3	B3-U0-G3	B4-U0-G4
ORX-3-SPT-80L-7-27K8	B2-U0-G2	B3-U0-G3	B3-U0-G3	B4-U0-G4
ORX-3-SPT-80L-7-30K7	B3-U0-G3	B3-U0-G3	B3-U0-G3	B4-U0-G4
ORX-3-SPT-80L-7-30K8	B3-U0-G3	B3-U0-G3	B3-U0-G3	B4-U0-G4
ORX-3-SPT-80L-7-35K8	B3-U0-G3	B3-U0-G3	B3-U0-G3	B4-U0-G4
ORX-3-SPT-80L-7-40K7	B3-U0-G3	B3-U0-G3	B3-U0-G3	B4-U0-G4
ORX-3-SPT-80L-7-40K8	B3-U0-G3	B3-U0-G3	B3-U0-G3	B4-U0-G4
ORX-3-SPT-80L-7-50K7	B3-U0-G3	B3-U0-G3	B3-U0-G3	B4-U0-G4
ORX-3-SPT-80L-7-50K8	B3-U0-G3	B3-U0-G3	B3-U0-G3	B4-U0-G4
ORX-3-SPT-80L-1-27K7	B3-U0-G3	B3-U0-G3	B3-U0-G3	B5-U0-G5
ORX-3-SPT-80L-1-27K8	B3-U0-G3	B3-U0-G3	B3-U0-G3	B4-U0-G4
ORX-3-SPT-80L-1-30K7	B3-U0-G3	B3-U0-G3	B3-U0-G4	B5-U0-G5
ORX-3-SPT-80L-1-30K8	B3-U0-G3	B3-U0-G3	B3-U0-G4	B5-U0-G5
ORX-3-SPT-80L-1-35K8	B3-U0-G3	B3-U0-G3	B3-U0-G4	B5-U0-G5
ORX-3-SPT-80L-1-40K7	B3-U0-G3	B3-U0-G3	B3-U0-G4	B5-U0-G5
ORX-3-SPT-80L-1-40K8	B3-U0-G3	B3-U0-G3	B3-U0-G4	B5-U0-G5
ORX-3-SPT-80L-1-50K7	B3-U0-G3	B3-U0-G3	B3-U0-G4	B5-U0-G5
ORX-3-SPT-80L-1-50K8	B3-U0-G3	B3-U0-G3	B3-U0-G4	B5-U0-G5

BUG RATING CHART - PERFORMANCE SILICONE MICRO OPTICS					
PART NUMBER	T4FTW	T4FTW CTG	T5W	T5W CTG	T5W DPCL
ORX-3-SPT-80L-35-27K7	B1-U0-G3	B1-U0-G3	B3-U0-G3	B3-U0-G3	NA
ORX-3-SPT-80L-35-27K8	B1-U0-G3	B1-U0-G3	B3-U0-G3	B3-U0-G3	NA
ORX-3-SPT-80L-35-30K7	B1-U0-G3	B1-U0-G3	B3-U0-G3	B3-U0-G3	NA
ORX-3-SPT-80L-35-30K8	B1-U0-G3	B1-U0-G3	B3-U0-G3	B3-U0-G3	NA
ORX-3-SPT-80L-35-35K8	B1-U0-G3	B1-U0-G3	B3-U0-G3	B3-U0-G3	NA
ORX-3-SPT-80L-35-40K7	B2-U0-G3	B1-U0-G3	B3-U0-G3	B3-U0-G3	NA
ORX-3-SPT-80L-35-40K8	B2-U0-G3	B1-U0-G3	B3-U0-G3	B3-U0-G3	NA
ORX-3-SPT-80L-35-50K7	B2-U0-G3	B1-U0-G3	B3-U0-G3	B3-U0-G3	NA
ORX-3-SPT-80L-35-50K8	B2-U0-G3	B1-U0-G3	B3-U0-G3	B3-U0-G3	NA
ORX-3-SPT-80L-53-27K7	B2-U0-G3	B2-U0-G3	B4-U0-G4	B4-U0-G4	NA
ORX-3-SPT-80L-53-27K8	B2-U0-G3	B2-U0-G3	B4-U0-G4	B4-U0-G4	NA
ORX-3-SPT-80L-53-30K7	B2-U0-G3	B2-U0-G3	B4-U0-G4	B4-U0-G4	NA
ORX-3-SPT-80L-53-30K8	B2-U0-G3	B2-U0-G3	B4-U0-G4	B4-U0-G4	NA
ORX-3-SPT-80L-53-35K8	B2-U0-G3	B2-U0-G3	B4-U0-G4	B4-U0-G4	NA
ORX-3-SPT-80L-53-40K7	B2-U0-G3	B2-U0-G3	B4-U0-G4	B4-U0-G4	NA
ORX-3-SPT-80L-53-40K8	B2-U0-G3	B2-U0-G3	B4-U0-G4	B4-U0-G4	NA
ORX-3-SPT-80L-53-50K7	B2-U0-G3	B2-U0-G3	B4-U0-G4	B4-U0-G4	NA
ORX-3-SPT-80L-53-50K8	B2-U0-G3	B2-U0-G3	B4-U0-G4	B4-U0-G4	NA
ORX-3-SPT-80L-7-27K7	B2-U0-G3	B2-U0-G3	B4-U0-G4	B4-U0-G4	NA
ORX-3-SPT-80L-7-27K8	B2-U0-G3	B2-U0-G3	B4-U0-G4	B4-U0-G4	NA
ORX-3-SPT-80L-7-30K7	B2-U0-G4	B2-U0-G3	B4-U0-G4	B4-U0-G4	NA
ORX-3-SPT-80L-7-30K8	B2-U0-G4	B2-U0-G3	B4-U0-G4	B4-U0-G4	NA
ORX-3-SPT-80L-7-35K8	B2-U0-G4	B2-U0-G3	B4-U0-G4	B4-U0-G4	NA
ORX-3-SPT-80L-7-40K7	B2-U0-G4	B2-U0-G3	B4-U0-G4	B4-U0-G4	NA
ORX-3-SPT-80L-7-40K8	B2-U0-G4	B2-U0-G3	B4-U0-G4	B4-U0-G4	NA
ORX-3-SPT-80L-7-50K7	B2-U0-G4	B2-U0-G3	B4-U0-G4	B4-U0-G4	NA
ORX-3-SPT-80L-7-50K8	B2-U0-G4	B2-U0-G3	B4-U0-G4	B4-U0-G4	NA
ORX-3-SPT-80L-1-27K7	B3-U0-G4	NA	B5-U0-G5	NA	NA
ORX-3-SPT-80L-1-27K8	B3-U0-G4	NA	B5-U0-G5	NA	NA
ORX-3-SPT-80L-1-30K7	B3-U0-G5	NA	B5-U0-G5	NA	NA
ORX-3-SPT-80L-1-30K8	B3-U0-G5	NA	B5-U0-G5	NA	NA
ORX-3-SPT-80L-1-35K8	B3-U0-G5	NA	B5-U0-G5	NA	NA
ORX-3-SPT-80L-1-40K7	B3-U0-G5	NA	B5-U0-G5	NA	NA
ORX-3-SPT-80L-1-40K8	B3-U0-G5	NA	B5-U0-G5	NA	NA
ORX-3-SPT-80L-1-50K7	B3-U0-G5	NA	B5-U0-G5	NA	NA
ORX-3-SPT-80L-1-50K8	B3-U0-G5	NA	B5-U0-G5	NA	NA



701 Kingshill Place, Carson, CA 90746
 Call Us Today (310) 341-2037

nlsighting.com

PRODUCT SPECIFICATIONS

SINGLE ARM POST TOP - 96L

BUG RATING - STANDARD SILICONE MICRO OPTICS				
PART NUMBER	T2	T3	T4	T5
ORX-3-SPT-96L-35-27K7	B2-U0-G2	B2-U0-G2	B2-U0-G2	B3-U0-G3
ORX-3-SPT-96L-35-27K8	B2-U0-G2	B2-U0-G2	B2-U0-G2	B3-U0-G3
ORX-3-SPT-96L-35-30K7	B2-U0-G2	B2-U0-G2	B2-U0-G2	B3-U0-G3
ORX-3-SPT-96L-35-30K8	B2-U0-G2	B2-U0-G2	B2-U0-G2	B3-U0-G3
ORX-3-SPT-96L-35-35K8	B2-U0-G2	B2-U0-G2	B2-U0-G2	B3-U0-G3
ORX-3-SPT-96L-35-40K7	B2-U0-G2	B2-U0-G2	B2-U0-G2	B3-U0-G3
ORX-3-SPT-96L-35-40K8	B2-U0-G2	B2-U0-G2	B2-U0-G2	B3-U0-G3
ORX-3-SPT-96L-35-50K7	B2-U0-G2	B2-U0-G2	B2-U0-G2	B3-U0-G3
ORX-3-SPT-96L-35-50K8	B2-U0-G2	B2-U0-G2	B2-U0-G2	B3-U0-G3
ORX-3-SPT-96L-53-27K7	B2-U0-G2	B3-U0-G3	B3-U0-G3	B4-U0-G4
ORX-3-SPT-96L-53-27K8	B2-U0-G2	B3-U0-G3	B2-U0-G2	B4-U0-G4
ORX-3-SPT-96L-53-30K7	B2-U0-G2	B3-U0-G3	B3-U0-G3	B4-U0-G4
ORX-3-SPT-96L-53-30K8	B2-U0-G2	B3-U0-G3	B3-U0-G3	B4-U0-G4
ORX-3-SPT-96L-53-35K8	B2-U0-G2	B3-U0-G3	B3-U0-G3	B4-U0-G4
ORX-3-SPT-96L-53-40K7	B3-U0-G3	B3-U0-G3	B3-U0-G3	B4-U0-G4
ORX-3-SPT-96L-53-40K8	B3-U0-G3	B3-U0-G3	B3-U0-G3	B4-U0-G4
ORX-3-SPT-96L-53-50K7	B3-U0-G3	B3-U0-G3	B3-U0-G3	B4-U0-G4
ORX-3-SPT-96L-53-50K8	B3-U0-G3	B3-U0-G3	B3-U0-G3	B4-U0-G4
ORX-3-SPT-96L-7-27K7	B3-U0-G3	B3-U0-G3	B3-U0-G3	B4-U0-G4
ORX-3-SPT-96L-7-27K8	B3-U0-G3	B3-U0-G3	B3-U0-G3	B4-U0-G4
ORX-3-SPT-96L-7-30K7	B3-U0-G3	B3-U0-G3	B3-U0-G3	B4-U0-G4
ORX-3-SPT-96L-7-30K8	B3-U0-G3	B3-U0-G3	B3-U0-G3	B4-U0-G4
ORX-3-SPT-96L-7-35K8	B3-U0-G3	B3-U0-G3	B3-U0-G3	B4-U0-G4
ORX-3-SPT-96L-7-40K7	B3-U0-G3	B3-U0-G3	B3-U0-G3	B4-U0-G4
ORX-3-SPT-96L-7-40K8	B3-U0-G3	B3-U0-G3	B3-U0-G3	B4-U0-G4
ORX-3-SPT-96L-7-50K7	B3-U0-G3	B3-U0-G3	B3-U0-G3	B4-U0-G4
ORX-3-SPT-96L-7-50K8	B3-U0-G3	B3-U0-G3	B3-U0-G3	B4-U0-G4
ORX-3-SPT-96L-1-27K7	B3-U0-G3	B3-U0-G3	B3-U0-G4	B5-U0-G5
ORX-3-SPT-96L-1-27K8	B3-U0-G3	B3-U0-G3	B3-U0-G4	B5-U0-G5
ORX-3-SPT-96L-1-30K7	B3-U0-G3	B3-U0-G3	B3-U0-G4	B5-U0-G5
ORX-3-SPT-96L-1-30K8	B3-U0-G3	B3-U0-G3	B3-U0-G4	B5-U0-G5
ORX-3-SPT-96L-1-35K8	B3-U0-G3	B3-U0-G3	B3-U0-G4	B5-U0-G5
ORX-3-SPT-96L-1-40K7	B3-U0-G4	B3-U0-G4	B3-U0-G4	B5-U0-G5
ORX-3-SPT-96L-1-40K8	B3-U0-G3	B3-U0-G4	B3-U0-G4	B5-U0-G5
ORX-3-SPT-96L-1-50K7	B3-U0-G4	B3-U0-G4	B3-U0-G4	B5-U0-G5
ORX-3-SPT-96L-1-50K8	B3-U0-G3	B3-U0-G4	B3-U0-G4	B5-U0-G5

BUG RATING - PERFORMANCE SILICONE MICRO OPTICS					
PART NUMBER	T4FTW	T4FTW CTG	T5W	T5W CTG	T5W DPCL
ORX-3-SPT-96L-35-27K7	B2-U0-G3	B1-U0-G3	B4-U0-G4	B3-U0-G3	NA
ORX-3-SPT-96L-35-27K8	B2-U0-G3	B1-U0-G3	B4-U0-G4	B3-U0-G3	NA
ORX-3-SPT-96L-35-30K7	B2-U0-G3	B2-U0-G3	B4-U0-G4	B4-U0-G4	NA
ORX-3-SPT-96L-35-30K8	B2-U0-G3	B2-U0-G3	B4-U0-G4	B4-U0-G4	NA
ORX-3-SPT-96L-35-35K8	B2-U0-G3	B2-U0-G3	B4-U0-G4	B4-U0-G4	NA
ORX-3-SPT-96L-35-40K7	B2-U0-G3	B2-U0-G3	B4-U0-G4	B4-U0-G4	NA
ORX-3-SPT-96L-35-40K8	B2-U0-G3	B2-U0-G3	B4-U0-G4	B4-U0-G4	NA
ORX-3-SPT-96L-35-50K7	B2-U0-G3	B2-U0-G3	B4-U0-G4	B4-U0-G4	NA
ORX-3-SPT-96L-35-50K8	B2-U0-G3	B2-U0-G3	B4-U0-G4	B4-U0-G4	NA
ORX-3-SPT-96L-53-27K7	B2-U0-G3	B2-U0-G3	B4-U0-G4	B4-U0-G4	NA
ORX-3-SPT-96L-53-27K8	B2-U0-G3	B2-U0-G3	B4-U0-G4	B4-U0-G4	NA
ORX-3-SPT-96L-53-30K7	B2-U0-G3	B2-U0-G3	B4-U0-G4	B4-U0-G4	NA
ORX-3-SPT-96L-53-30K8	B2-U0-G3	B2-U0-G3	B4-U0-G4	B4-U0-G4	NA
ORX-3-SPT-96L-53-35K8	B2-U0-G3	B2-U0-G3	B4-U0-G4	B4-U0-G4	NA
ORX-3-SPT-96L-53-40K7	B2-U0-G3	B2-U0-G3	B5-U0-G5	B4-U0-G4	NA
ORX-3-SPT-96L-53-40K8	B2-U0-G3	B2-U0-G3	B5-U0-G5	B4-U0-G4	NA
ORX-3-SPT-96L-53-50K7	B2-U0-G3	B2-U0-G3	B5-U0-G5	B4-U0-G4	NA
ORX-3-SPT-96L-53-50K8	B2-U0-G3	B2-U0-G3	B5-U0-G5	B4-U0-G4	NA
ORX-3-SPT-96L-7-27K7	B3-U0-G4	B2-U0-G3	B5-U0-G5	B4-U0-G4	NA
ORX-3-SPT-96L-7-27K8	B3-U0-G4	B2-U0-G3	B5-U0-G5	B4-U0-G4	NA
ORX-3-SPT-96L-7-30K7	B3-U0-G4	B2-U0-G3	B5-U0-G5	B4-U0-G4	NA
ORX-3-SPT-96L-7-30K8	B3-U0-G4	B2-U0-G3	B5-U0-G5	B4-U0-G4	NA
ORX-3-SPT-96L-7-35K8	B3-U0-G4	B2-U0-G3	B5-U0-G5	B4-U0-G4	NA
ORX-3-SPT-96L-7-40K7	B3-U0-G4	B2-U0-G4	B5-U0-G5	B5-U0-G5	NA
ORX-3-SPT-96L-7-40K8	B3-U0-G4	B2-U0-G4	B5-U0-G5	B5-U0-G5	NA
ORX-3-SPT-96L-7-50K7	B3-U0-G4	B2-U0-G4	B5-U0-G5	B5-U0-G5	NA
ORX-3-SPT-96L-7-50K8	B3-U0-G4	B2-U0-G4	B5-U0-G5	B5-U0-G5	NA
ORX-3-SPT-96L-1-27K7	B3-U0-G4	NA	B5-U0-G5	NA	NA
ORX-3-SPT-96L-1-27K8	B3-U0-G4	NA	B5-U0-G5	NA	NA
ORX-3-SPT-96L-1-30K7	B3-U0-G5	NA	B5-U0-G5	NA	NA
ORX-3-SPT-96L-1-30K8	B3-U0-G5	NA	B5-U0-G5	NA	NA
ORX-3-SPT-96L-1-35K8	B3-U0-G5	NA	B5-U0-G5	NA	NA
ORX-3-SPT-96L-1-40K7	B3-U0-G5	NA	B5-U0-G5	NA	NA
ORX-3-SPT-96L-1-40K8	B3-U0-G5	NA	B5-U0-G5	NA	NA
ORX-3-SPT-96L-1-50K7	B3-U0-G5	NA	B5-U0-G5	NA	NA
ORX-3-SPT-96L-1-50K8	B3-U0-G5	NA	B5-U0-G5	NA	NA



701 Kingshill Place, Carson, CA 90746
Call Us Today (310) 341-2037

nlsighting.com

PRODUCT SPECIFICATIONS

SINGLE ARM POST TOP - 128L

BUG RATING - STANDARD SILICONE MICRO OPTICS				
PART NUMBER	T2	T3	T4	T5
ORX-3-SPT-128L-35-27K7	B2-U0-G2	B2-U0-G2	B2-U0-G2	B4-U0-G4
ORX-3-SPT-128L-35-27K8	B2-U0-G2	B2-U0-G2	B2-U0-G2	B4-U0-G4
ORX-3-SPT-128L-35-30K7	B2-U0-G2	B3-U0-G3	B2-U0-G2	B4-U0-G4
ORX-3-SPT-128L-35-30K8	B2-U0-G2	B2-U0-G2	B2-U0-G2	B4-U0-G4
ORX-3-SPT-128L-35-35K8	B2-U0-G2	B2-U0-G2	B2-U0-G2	B4-U0-G4
ORX-3-SPT-128L-35-40K7	B2-U0-G2	B3-U0-G3	B3-U0-G3	B4-U0-G4
ORX-3-SPT-128L-35-40K8	B2-U0-G2	B3-U0-G3	B2-U0-G2	B4-U0-G4
ORX-3-SPT-128L-35-50K7	B2-U0-G2	B3-U0-G3	B3-U0-G3	B4-U0-G4
ORX-3-SPT-128L-35-50K8	B2-U0-G2	B3-U0-G3	B2-U0-G2	B4-U0-G4
ORX-3-SPT-128L-53-27K7	B3-U0-G3	B3-U0-G3	B3-U0-G3	B4-U0-G4
ORX-3-SPT-128L-53-27K8	B3-U0-G3	B3-U0-G3	B3-U0-G3	B4-U0-G4
ORX-3-SPT-128L-53-30K7	B3-U0-G3	B3-U0-G3	B3-U0-G3	B4-U0-G4
ORX-3-SPT-128L-53-30K8	B3-U0-G3	B3-U0-G3	B3-U0-G3	B4-U0-G4
ORX-3-SPT-128L-53-35K8	B3-U0-G3	B3-U0-G3	B3-U0-G3	B4-U0-G4
ORX-3-SPT-128L-53-40K7	B3-U0-G3	B3-U0-G3	B3-U0-G3	B5-U0-G5
ORX-3-SPT-128L-53-40K8	B3-U0-G3	B3-U0-G3	B3-U0-G3	B5-U0-G5
ORX-3-SPT-128L-53-50K7	B3-U0-G3	B3-U0-G3	B3-U0-G3	B5-U0-G5
ORX-3-SPT-128L-53-50K8	B3-U0-G3	B3-U0-G3	B3-U0-G3	B5-U0-G5
ORX-3-SPT-128L-7-27K7	B3-U0-G3	B3-U0-G3	B3-U0-G4	B5-U0-G5
ORX-3-SPT-128L-7-27K8	B3-U0-G3	B3-U0-G3	B3-U0-G4	B5-U0-G5
ORX-3-SPT-128L-7-30K7	B3-U0-G3	B3-U0-G3	B3-U0-G4	B5-U0-G5
ORX-3-SPT-128L-7-30K8	B3-U0-G3	B3-U0-G3	B3-U0-G4	B5-U0-G5
ORX-3-SPT-128L-7-35K8	B3-U0-G3	B3-U0-G3	B3-U0-G4	B5-U0-G5
ORX-3-SPT-128L-7-40K7	B3-U0-G3	B3-U0-G3	B3-U0-G4	B5-U0-G5
ORX-3-SPT-128L-7-40K8	B3-U0-G3	B3-U0-G3	B3-U0-G4	B5-U0-G5
ORX-3-SPT-128L-7-50K7	B3-U0-G3	B3-U0-G3	B3-U0-G4	B5-U0-G5
ORX-3-SPT-128L-7-50K8	B3-U0-G3	B3-U0-G3	B3-U0-G4	B5-U0-G5
ORX-3-SPT-128L-1-27K7	B3-U0-G4	B4-U0-G4	B4-U0-G4	B5-U0-G5
ORX-3-SPT-128L-1-27K8	B3-U0-G4	B4-U0-G4	B3-U0-G4	B5-U0-G5
ORX-3-SPT-128L-1-30K7	B4-U0-G4	B4-U0-G4	B4-U0-G5	B5-U0-G5
ORX-3-SPT-128L-1-30K8	B3-U0-G4	B4-U0-G4	B4-U0-G4	B5-U0-G5
ORX-3-SPT-128L-1-35K8	B3-U0-G4	B4-U0-G4	B4-U0-G4	B5-U0-G5
ORX-3-SPT-128L-1-40K7	B4-U0-G4	B4-U0-G4	B4-U0-G5	B5-U0-G5
ORX-3-SPT-128L-1-40K8	B4-U0-G4	B4-U0-G4	B4-U0-G5	B5-U0-G5
ORX-3-SPT-128L-1-50K7	B4-U0-G4	B4-U0-G4	B4-U0-G5	B5-U0-G5
ORX-3-SPT-128L-1-50K8	B4-U0-G4	B4-U0-G4	B4-U0-G5	B5-U0-G5

BUG RATING - PERFORMANCE SILICONE MICRO OPTICS					
PART NUMBER	T4FTW	T4FTW CTG	T5W	T5W CTG	T5W DPCL
ORX-3-SPT-128L-35-27K7	B2-U0-G3	B2-U0-G3	B4-U0-G4	B4-U0-G4	NA
ORX-3-SPT-128L-35-27K8	B2-U0-G3	B2-U0-G3	B4-U0-G4	B4-U0-G4	NA
ORX-3-SPT-128L-35-30K7	B2-U0-G3	B2-U0-G3	B4-U0-G4	B4-U0-G4	NA
ORX-3-SPT-128L-35-30K8	B2-U0-G3	B2-U0-G3	B4-U0-G4	B4-U0-G4	NA
ORX-3-SPT-128L-35-35K8	B2-U0-G3	B2-U0-G3	B4-U0-G4	B4-U0-G4	NA
ORX-3-SPT-128L-35-40K7	B2-U0-G3	B2-U0-G3	B4-U0-G4	B4-U0-G4	NA
ORX-3-SPT-128L-35-40K8	B2-U0-G3	B2-U0-G3	B4-U0-G4	B4-U0-G4	NA
ORX-3-SPT-128L-35-50K7	B2-U0-G3	B2-U0-G3	B4-U0-G4	B4-U0-G4	NA
ORX-3-SPT-128L-35-50K8	B2-U0-G3	B2-U0-G3	B4-U0-G4	B4-U0-G4	NA
ORX-3-SPT-128L-53-27K7	B3-U0-G4	B3-U0-G3	B5-U0-G5	B4-U0-G4	NA
ORX-3-SPT-128L-53-27K8	B3-U0-G4	B3-U0-G3	B5-U0-G5	B4-U0-G4	NA
ORX-3-SPT-128L-53-30K7	B3-U0-G4	B3-U0-G4	B5-U0-G5	B5-U0-G5	NA
ORX-3-SPT-128L-53-30K8	B3-U0-G4	B3-U0-G4	B5-U0-G5	B5-U0-G5	NA
ORX-3-SPT-128L-53-35K8	B3-U0-G4	B3-U0-G4	B5-U0-G5	B5-U0-G5	NA
ORX-3-SPT-128L-53-40K7	B3-U0-G4	B3-U0-G4	B5-U0-G5	B5-U0-G5	NA
ORX-3-SPT-128L-53-40K8	B3-U0-G4	B3-U0-G4	B5-U0-G5	B5-U0-G5	NA
ORX-3-SPT-128L-53-50K7	B3-U0-G4	B3-U0-G4	B5-U0-G5	B5-U0-G5	NA
ORX-3-SPT-128L-53-50K8	B3-U0-G4	B3-U0-G4	B5-U0-G5	B5-U0-G5	NA
ORX-3-SPT-128L-7-27K7	B3-U0-G4	B3-U0-G4	B5-U0-G5	B5-U0-G5	NA
ORX-3-SPT-128L-7-27K8	B3-U0-G4	B3-U0-G4	B5-U0-G5	B5-U0-G5	NA
ORX-3-SPT-128L-7-30K7	B3-U0-G4	B3-U0-G4	B5-U0-G5	B5-U0-G5	NA
ORX-3-SPT-128L-7-30K8	B3-U0-G4	B3-U0-G4	B5-U0-G5	B5-U0-G5	NA
ORX-3-SPT-128L-7-35K8	B3-U0-G4	B3-U0-G4	B5-U0-G5	B5-U0-G5	NA
ORX-3-SPT-128L-7-40K7	B3-U0-G4	B3-U0-G4	B5-U0-G5	B5-U0-G5	NA
ORX-3-SPT-128L-7-40K8	B3-U0-G4	B3-U0-G4	B5-U0-G5	B5-U0-G5	NA
ORX-3-SPT-128L-7-50K7	B3-U0-G4	B3-U0-G4	B5-U0-G5	B5-U0-G5	NA
ORX-3-SPT-128L-7-50K8	B3-U0-G4	B3-U0-G4	B5-U0-G5	B5-U0-G5	NA
ORX-3-SPT-128L-1-27K7	B3-U0-G5	NA	B5-U0-G5	NA	NA
ORX-3-SPT-128L-1-27K8	B3-U0-G5	NA	B5-U0-G5	NA	NA
ORX-3-SPT-128L-1-30K7	B3-U0-G5	NA	B5-U0-G5	NA	NA
ORX-3-SPT-128L-1-30K8	B3-U0-G5	NA	B5-U0-G5	NA	NA
ORX-3-SPT-128L-1-35K8	B3-U0-G5	NA	B5-U0-G5	NA	NA
ORX-3-SPT-128L-1-40K7	B3-U0-G5	NA	B5-U0-G5	NA	NA
ORX-3-SPT-128L-1-40K8	B3-U0-G5	NA	B5-U0-G5	NA	NA
ORX-3-SPT-128L-1-50K7	B3-U0-G5	NA	B5-U0-G5	NA	NA
ORX-3-SPT-128L-1-50K8	B3-U0-G5	NA	B5-U0-G5	NA	NA



701 Kingshill Place, Carson, CA 90746
 Call Us Today (310) 341-2037

nlsighting.com

PRODUCT SPECIFICATIONS

SINGLE ARM POST TOP - 144L

BUG RATING - STANDARD SILICONE MICRO OPTICS				
PART NUMBER	T2	T3	T4	T5
ORX-3-SPT-144L-35-27K7	B2-U0-G2	B3-U0-G3	B3-U0-G3	B4-U0-G4
ORX-3-SPT-144L-35-27K8	B2-U0-G2	B3-U0-G3	B2-U0-G2	B4-U0-G4
ORX-3-SPT-144L-35-30K7	B3-U0-G3	B3-U0-G3	B3-U0-G3	B4-U0-G4
ORX-3-SPT-144L-35-30K8	B2-U0-G2	B3-U0-G3	B3-U0-G3	B4-U0-G4
ORX-3-SPT-144L-35-35K8	B2-U0-G2	B3-U0-G3	B3-U0-G3	B4-U0-G4
ORX-3-SPT-144L-35-40K7	B3-U0-G3	B3-U0-G3	B3-U0-G3	B4-U0-G4
ORX-3-SPT-144L-35-40K8	B3-U0-G3	B3-U0-G3	B3-U0-G3	B4-U0-G4
ORX-3-SPT-144L-35-50K7	B3-U0-G3	B3-U0-G3	B3-U0-G3	B4-U0-G4
ORX-3-SPT-144L-35-50K8	B3-U0-G3	B3-U0-G3	B3-U0-G3	B4-U0-G4
ORX-3-SPT-144L-53-27K7	B3-U0-G3	B3-U0-G3	B3-U0-G3	B4-U0-G4
ORX-3-SPT-144L-53-27K8	B3-U0-G3	B3-U0-G3	B3-U0-G3	B4-U0-G4
ORX-3-SPT-144L-53-30K7	B3-U0-G3	B3-U0-G3	B3-U0-G3	B5-U0-G5
ORX-3-SPT-144L-53-30K8	B3-U0-G3	B3-U0-G3	B3-U0-G3	B4-U0-G4
ORX-3-SPT-144L-53-35K8	B3-U0-G3	B3-U0-G3	B3-U0-G3	B4-U0-G4
ORX-3-SPT-144L-53-40K7	B3-U0-G3	B3-U0-G3	B3-U0-G4	B5-U0-G5
ORX-3-SPT-144L-53-40K8	B3-U0-G3	B3-U0-G3	B3-U0-G4	B5-U0-G5
ORX-3-SPT-144L-53-50K7	B3-U0-G3	B3-U0-G3	B3-U0-G4	B5-U0-G5
ORX-3-SPT-144L-53-50K8	B3-U0-G3	B3-U0-G3	B3-U0-G4	B5-U0-G5
ORX-3-SPT-144L-7-27K7	B3-U0-G3	B3-U0-G4	B3-U0-G4	B5-U0-G5
ORX-3-SPT-144L-7-27K8	B3-U0-G3	B3-U0-G3	B3-U0-G4	B5-U0-G5
ORX-3-SPT-144L-7-30K7	B3-U0-G4	B3-U0-G4	B3-U0-G4	B5-U0-G5
ORX-3-SPT-144L-7-30K8	B3-U0-G3	B3-U0-G4	B3-U0-G4	B5-U0-G5
ORX-3-SPT-144L-7-35K8	B3-U0-G3	B3-U0-G4	B3-U0-G4	B5-U0-G5
ORX-3-SPT-144L-7-40K7	B3-U0-G4	B3-U0-G4	B3-U0-G4	B5-U0-G5
ORX-3-SPT-144L-7-40K8	B3-U0-G4	B3-U0-G4	B3-U0-G4	B5-U0-G5
ORX-3-SPT-144L-7-50K7	B3-U0-G4	B3-U0-G4	B3-U0-G4	B5-U0-G5
ORX-3-SPT-144L-7-50K8	B3-U0-G4	B3-U0-G4	B3-U0-G4	B5-U0-G5
ORX-3-SPT-144L-1A-27K7	B4-U0-G4	B4-U0-G4	B4-U0-G5	B5-U0-G5
ORX-3-SPT-144L-1A-27K8	B3-U0-G4	B4-U0-G4	B4-U0-G5	B5-U0-G5
ORX-3-SPT-144L-1A-30K7	B4-U0-G4	B4-U0-G4	B4-U0-G5	B5-U0-G5
ORX-3-SPT-144L-1A-30K8	B4-U0-G4	B4-U0-G4	B4-U0-G5	B5-U0-G5
ORX-3-SPT-144L-1A-35K8	B4-U0-G4	B4-U0-G4	B4-U0-G5	B5-U0-G5
ORX-3-SPT-144L-1A-40K7	B4-U0-G4	B4-U0-G4	B4-U0-G5	B5-U0-G5
ORX-3-SPT-144L-1A-40K8	B4-U0-G4	B4-U0-G4	B4-U0-G5	B5-U0-G5
ORX-3-SPT-144L-1A-50K7	B4-U0-G4	B4-U0-G4	B4-U0-G5	B5-U0-G5
ORX-3-SPT-144L-1A-50K8	B4-U0-G4	B4-U0-G4	B4-U0-G5	B5-U0-G5

BUG RATING - PERFORMANCE SILICONE MICRO OPTICS					
PART NUMBER	T4FTW	T4FTW CTG	T5W	T5W CTG	T5W DPCL
ORX-3-SPT-144L-35-27K7	B2-U0-G3		B4-U0-G4	B4-U0-G4	NA
ORX-3-SPT-144L-35-27K8	B2-U0-G3		B4-U0-G4	B4-U0-G4	NA
ORX-3-SPT-144L-35-30K7	B2-U0-G3		B4-U0-G4	B4-U0-G4	NA
ORX-3-SPT-144L-35-30K8	B2-U0-G3		B4-U0-G4	B4-U0-G4	NA
ORX-3-SPT-144L-35-35K8	B2-U0-G3		B4-U0-G4	B4-U0-G4	NA
ORX-3-SPT-144L-35-40K7	B2-U0-G3		B4-U0-G4	B4-U0-G4	NA
ORX-3-SPT-144L-35-40K8	B2-U0-G3		B4-U0-G4	B4-U0-G4	NA
ORX-3-SPT-144L-35-50K7	B2-U0-G3		B4-U0-G4	B4-U0-G4	NA
ORX-3-SPT-144L-35-50K8	B2-U0-G3		B4-U0-G4	B4-U0-G4	NA
ORX-3-SPT-144L-53-27K7	B3-U0-G4		B5-U0-G5	B5-U0-G5	NA
ORX-3-SPT-144L-53-27K8	B3-U0-G4		B5-U0-G5	B5-U0-G5	NA
ORX-3-SPT-144L-53-30K7	B3-U0-G4		B5-U0-G5	B5-U0-G5	NA
ORX-3-SPT-144L-53-30K8	B3-U0-G4		B5-U0-G5	B5-U0-G5	NA
ORX-3-SPT-144L-53-35K8	B3-U0-G4		B5-U0-G5	B5-U0-G5	NA
ORX-3-SPT-144L-53-40K7	B3-U0-G4		B5-U0-G5	B5-U0-G5	NA
ORX-3-SPT-144L-53-40K8	B3-U0-G4		B5-U0-G5	B5-U0-G5	NA
ORX-3-SPT-144L-53-50K7	B3-U0-G4		B5-U0-G5	B5-U0-G5	NA
ORX-3-SPT-144L-53-50K8	B3-U0-G4		B5-U0-G5	B5-U0-G5	NA
ORX-3-SPT-144L-7-27K7	B3-U0-G4		B5-U0-G5	B5-U0-G5	NA
ORX-3-SPT-144L-7-27K8	B3-U0-G4		B5-U0-G5	B5-U0-G5	NA
ORX-3-SPT-144L-7-30K7	B3-U0-G5		B5-U0-G5	B5-U0-G5	NA
ORX-3-SPT-144L-7-30K8	B3-U0-G5		B5-U0-G5	B5-U0-G5	NA
ORX-3-SPT-144L-7-35K8	B3-U0-G5		B5-U0-G5	B5-U0-G5	NA
ORX-3-SPT-144L-7-40K7	B3-U0-G5		B5-U0-G5	B5-U0-G5	NA
ORX-3-SPT-144L-7-40K8	B3-U0-G5		B5-U0-G5	B5-U0-G5	NA
ORX-3-SPT-144L-7-50K7	B3-U0-G5		B5-U0-G5	B5-U0-G5	NA
ORX-3-SPT-144L-7-50K8	B3-U0-G5		B5-U0-G5	B5-U0-G5	NA
ORX-3-SPT-144L-1A-27K7	B3-U0-G5		B5-U0-G5	NA	NA
ORX-3-SPT-144L-1A-27K8	B3-U0-G5		B5-U0-G5	NA	NA
ORX-3-SPT-144L-1A-30K7	B3-U0-G5		B5-U0-G5	NA	NA
ORX-3-SPT-144L-1A-30K8	B3-U0-G5		B5-U0-G5	NA	NA
ORX-3-SPT-144L-1A-35K8	B3-U0-G5		B5-U0-G5	NA	NA
ORX-3-SPT-144L-1A-40K7	B3-U0-G5		B5-U0-G5	NA	NA
ORX-3-SPT-144L-1A-40K8	B3-U0-G5		B5-U0-G5	NA	NA
ORX-3-SPT-144L-1A-50K7	B3-U0-G5		B5-U0-G5	NA	NA
ORX-3-SPT-144L-1A-50K8	B3-U0-G5		B5-U0-G5	NA	NA



701 Kingshill Place, Carson, CA 90746
Call Us Today (310) 341-2037

nlsighting.com

PRODUCT SPECIFICATIONS

DOUBLE ARM POST TOP - 80L

BUG RATING CHART - STANDARD SILICONE MICRO OPTICS				
PART NUMBER	T2	T3	T4	T5
ORX-3-DPT-80L-35-27K7	B2-U0-G2	B2-U0-G2	B2-U0-G2	B3-U0-G2
ORX-3-DPT-80L-35-27K8	B1-U0-G1	B2-U0-G2	B2-U0-G2	B3-U0-G2
ORX-3-DPT-80L-35-30K7	B2-U0-G2	B2-U0-G2	B2-U0-G2	B3-U0-G2
ORX-3-DPT-80L-35-30K8	B2-U0-G2	B2-U0-G2	B2-U0-G2	B3-U0-G2
ORX-3-DPT-80L-35-35K8	B2-U0-G2	B2-U0-G2	B2-U0-G2	B3-U0-G2
ORX-3-DPT-80L-35-40K7	B2-U0-G2	B2-U0-G2	B2-U0-G2	B3-U0-G2
ORX-3-DPT-80L-35-40K8	B2-U0-G2	B2-U0-G2	B2-U0-G2	B3-U0-G2
ORX-3-DPT-80L-35-50K7	B2-U0-G2	B2-U0-G2	B2-U0-G2	B3-U0-G2
ORX-3-DPT-80L-35-50K8	B2-U0-G2	B2-U0-G2	B2-U0-G2	B3-U0-G2
ORX-3-DPT-80L-53-27K7	B2-U0-G2	B2-U0-G2	B2-U0-G2	B4-U0-G2
ORX-3-DPT-80L-53-27K8	B2-U0-G2	B2-U0-G2	B2-U0-G2	B4-U0-G2
ORX-3-DPT-80L-53-30K7	B2-U0-G2	B3-U0-G3	B2-U0-G2	B4-U0-G2
ORX-3-DPT-80L-53-30K8	B2-U0-G2	B3-U0-G3	B2-U0-G2	B4-U0-G2
ORX-3-DPT-80L-53-35K8	B2-U0-G2	B2-U0-G2	B2-U0-G2	B4-U0-G2
ORX-3-DPT-80L-53-40K7	B2-U0-G2	B3-U0-G3	B3-U0-G3	B4-U0-G2
ORX-3-DPT-80L-53-40K8	B2-U0-G2	B3-U0-G3	B2-U0-G2	B4-U0-G2
ORX-3-DPT-80L-53-50K7	B2-U0-G2	B3-U0-G3	B3-U0-G3	B4-U0-G2
ORX-3-DPT-80L-53-50K8	B2-U0-G2	B3-U0-G3	B2-U0-G2	B4-U0-G2
ORX-3-DPT-80L-7-27K7	B3-U0-G3	B3-U0-G3	B3-U0-G3	B4-U0-G2
ORX-3-DPT-80L-7-27K8	B2-U0-G2	B3-U0-G3	B3-U0-G3	B4-U0-G2
ORX-3-DPT-80L-7-30K7	B3-U0-G3	B3-U0-G3	B3-U0-G3	B4-U0-G2
ORX-3-DPT-80L-7-30K8	B3-U0-G3	B3-U0-G3	B3-U0-G3	B4-U0-G2
ORX-3-DPT-80L-7-35K8	B3-U0-G3	B3-U0-G3	B3-U0-G3	B4-U0-G2
ORX-3-DPT-80L-7-40K7	B3-U0-G3	B3-U0-G3	B3-U0-G3	B4-U0-G2
ORX-3-DPT-80L-7-40K8	B3-U0-G3	B3-U0-G3	B3-U0-G3	B4-U0-G2
ORX-3-DPT-80L-7-50K7	B3-U0-G3	B3-U0-G3	B3-U0-G3	B4-U0-G2
ORX-3-DPT-80L-7-50K8	B3-U0-G3	B3-U0-G3	B3-U0-G3	B4-U0-G2
ORX-3-DPT-80L-1-27K7	B3-U0-G3	B3-U0-G3	B3-U0-G3	B5-U0-G3
ORX-3-DPT-80L-1-27K8	B3-U0-G3	B3-U0-G3	B3-U0-G3	B5-U0-G3
ORX-3-DPT-80L-1-30K7	B3-U0-G3	B3-U0-G3	B3-U0-G4	B5-U0-G3
ORX-3-DPT-80L-1-30K8	B3-U0-G3	B3-U0-G3	B3-U0-G3	B5-U0-G3
ORX-3-DPT-80L-1-35K8	B3-U0-G3	B3-U0-G3	B3-U0-G3	B5-U0-G3
ORX-3-DPT-80L-1-40K7	B3-U0-G3	B3-U0-G3	B3-U0-G4	B5-U0-G3
ORX-3-DPT-80L-1-40K8	B3-U0-G3	B3-U0-G3	B3-U0-G4	B5-U0-G3
ORX-3-DPT-80L-1-50K7	B3-U0-G3	B3-U0-G3	B3-U0-G4	B5-U0-G3
ORX-3-DPT-80L-1-50K8	B3-U0-G3	B3-U0-G3	B3-U0-G4	B5-U0-G3

BUG RATING CHART - PERFORMANCE SILICONE MICRO OPTICS					
PART NUMBER	T4FTW	T4FTW CTG	T5W	T5W CTG	T5W DPCL
ORX-3-DPT-80L-35-27K7	B2-U0-G3	B1-U0-G3	B4-U0-G2	B3-U0-G2	NA
ORX-3-DPT-80L-35-27K8	B2-U0-G3	B1-U0-G3	B4-U0-G2	B3-U0-G2	NA
ORX-3-DPT-80L-35-30K7	B2-U0-G3	B2-U0-G3	B4-U0-G3	B4-U0-G2	NA
ORX-3-DPT-80L-35-30K8	B2-U0-G3	B2-U0-G3	B4-U0-G3	B4-U0-G2	NA
ORX-3-DPT-80L-35-35K8	B2-U0-G3	B2-U0-G3	B4-U0-G3	B4-U0-G2	NA
ORX-3-DPT-80L-35-40K7	B2-U0-G3	B2-U0-G3	B4-U0-G3	B4-U0-G2	NA
ORX-3-DPT-80L-35-40K8	B2-U0-G3	B2-U0-G3	B4-U0-G3	B4-U0-G2	NA
ORX-3-DPT-80L-35-50K7	B2-U0-G3	B2-U0-G3	B4-U0-G3	B4-U0-G2	NA
ORX-3-DPT-80L-35-50K8	B2-U0-G3	B2-U0-G3	B4-U0-G3	B4-U0-G2	NA
ORX-3-DPT-80L-53-27K7	B2-U0-G3	B2-U0-G3	B4-U0-G3	B4-U0-G3	NA
ORX-3-DPT-80L-53-27K8	B2-U0-G3	B2-U0-G3	B4-U0-G3	B4-U0-G3	NA
ORX-3-DPT-80L-53-30K7	B2-U0-G3	B2-U0-G3	B4-U0-G3	B4-U0-G3	NA
ORX-3-DPT-80L-53-30K8	B2-U0-G3	B2-U0-G3	B4-U0-G3	B4-U0-G3	NA
ORX-3-DPT-80L-53-35K8	B2-U0-G3	B2-U0-G3	B4-U0-G3	B4-U0-G3	NA
ORX-3-DPT-80L-53-40K7	B2-U0-G3	B2-U0-G3	B5-U0-G3	B4-U0-G3	NA
ORX-3-DPT-80L-53-40K8	B2-U0-G3	B2-U0-G3	B5-U0-G3	B4-U0-G3	NA
ORX-3-DPT-80L-53-50K7	B2-U0-G3	B2-U0-G3	B5-U0-G3	B4-U0-G3	NA
ORX-3-DPT-80L-53-50K8	B2-U0-G3	B2-U0-G3	B5-U0-G3	B4-U0-G3	NA
ORX-3-DPT-80L-7-27K7	B3-U0-G3	B2-U0-G3	B5-U0-G3	B4-U0-G3	NA
ORX-3-DPT-80L-7-27K8	B3-U0-G3	B2-U0-G3	B5-U0-G3	B4-U0-G3	NA
ORX-3-DPT-80L-7-30K7	B3-U0-G4	B2-U0-G3	B5-U0-G3	B4-U0-G3	NA
ORX-3-DPT-80L-7-30K8	B3-U0-G4	B2-U0-G3	B5-U0-G3	B4-U0-G3	NA
ORX-3-DPT-80L-7-35K8	B3-U0-G4	B2-U0-G3	B5-U0-G3	B4-U0-G3	NA
ORX-3-DPT-80L-7-40K7	B3-U0-G4	B3-U0-G3	B5-U0-G3	B5-U0-G3	NA
ORX-3-DPT-80L-7-40K8	B3-U0-G4	B3-U0-G3	B5-U0-G3	B5-U0-G3	NA
ORX-3-DPT-80L-7-50K7	B3-U0-G4	B3-U0-G3	B5-U0-G3	B5-U0-G3	NA
ORX-3-DPT-80L-7-50K8	B3-U0-G4	B3-U0-G3	B5-U0-G3	B5-U0-G3	NA
ORX-3-DPT-80L-1-27K7	B3-U0-G4	NA	B5-U0-G4	NA	NA
ORX-3-DPT-80L-1-27K8	B3-U0-G4	NA	B5-U0-G4	NA	NA
ORX-3-DPT-80L-1-30K7	B3-U0-G5	NA	B5-U0-G4	NA	NA
ORX-3-DPT-80L-1-30K8	B3-U0-G5	NA	B5-U0-G4	NA	NA
ORX-3-DPT-80L-1-35K8	B3-U0-G5	NA	B5-U0-G4	NA	NA
ORX-3-DPT-80L-1-40K7	B3-U0-G5	NA	B5-U0-G4	NA	NA
ORX-3-DPT-80L-1-40K8	B3-U0-G5	NA	B5-U0-G4	NA	NA
ORX-3-DPT-80L-1-50K7	B3-U0-G5	NA	B5-U0-G4	NA	NA
ORX-3-DPT-80L-1-50K8	B3-U0-G5	NA	B5-U0-G4	NA	NA

PRODUCT SPECIFICATIONS

DOUBLE ARM POST TOP - 96L

BUG RATING CHART - STANDARD SILICONE MICRO OPTICS				
PART NUMBER	T2	T3	T4	T5
ORX-3-DPT-96L-35-27K7	B2-U0-G2	B2-U0-G2	B2-U0-G2	B3-U0-G2
ORX-3-DPT-96L-35-27K8	B2-U0-G2	B2-U0-G2	B2-U0-G2	B3-U0-G2
ORX-3-DPT-96L-35-30K7	B2-U0-G2	B2-U0-G2	B2-U0-G2	B4-U0-G2
ORX-3-DPT-96L-35-30K8	B2-U0-G2	B2-U0-G2	B2-U0-G2	B3-U0-G2
ORX-3-DPT-96L-35-35K8	B2-U0-G2	B2-U0-G2	B2-U0-G2	B3-U0-G2
ORX-3-DPT-96L-35-40K7	B2-U0-G2	B2-U0-G2	B2-U0-G2	B4-U0-G2
ORX-3-DPT-96L-35-40K8	B2-U0-G2	B2-U0-G2	B2-U0-G2	B4-U0-G2
ORX-3-DPT-96L-35-50K7	B2-U0-G2	B2-U0-G2	B2-U0-G2	B4-U0-G2
ORX-3-DPT-96L-35-50K8	B2-U0-G2	B2-U0-G2	B2-U0-G2	B4-U0-G2
ORX-3-DPT-96L-53-27K7	B2-U0-G2	B3-U0-G3	B3-U0-G3	B4-U0-G2
ORX-3-DPT-96L-53-27K8	B2-U0-G2	B3-U0-G3	B3-U0-G3	B4-U0-G2
ORX-3-DPT-96L-53-30K7	B2-U0-G3	B3-U0-G3	B3-U0-G3	B4-U0-G2
ORX-3-DPT-96L-53-30K8	B2-U0-G2	B3-U0-G3	B3-U0-G3	B4-U0-G2
ORX-3-DPT-96L-53-35K8	B2-U0-G2	B3-U0-G3	B3-U0-G3	B4-U0-G2
ORX-3-DPT-96L-53-40K7	B3-U0-G3	B3-U0-G3	B3-U0-G3	B4-U0-G2
ORX-3-DPT-96L-53-40K8	B3-U0-G3	B3-U0-G3	B3-U0-G3	B4-U0-G2
ORX-3-DPT-96L-53-50K7	B3-U0-G3	B3-U0-G3	B3-U0-G3	B4-U0-G2
ORX-3-DPT-96L-53-50K8	B3-U0-G3	B3-U0-G3	B3-U0-G3	B4-U0-G2
ORX-3-DPT-96L-7-27K7	B3-U0-G3	B3-U0-G3	B3-U0-G3	B4-U0-G2
ORX-3-DPT-96L-7-27K8	B3-U0-G3	B3-U0-G3	B3-U0-G3	B4-U0-G2
ORX-3-DPT-96L-7-30K7	B3-U0-G3	B3-U0-G3	B3-U0-G3	B5-U0-G3
ORX-3-DPT-96L-7-30K8	B3-U0-G3	B3-U0-G3	B3-U0-G3	B4-U0-G2
ORX-3-DPT-96L-7-35K8	B3-U0-G3	B3-U0-G3	B3-U0-G3	B4-U0-G2
ORX-3-DPT-96L-7-40K7	B3-U0-G3	B3-U0-G3	B3-U0-G3	B5-U0-G3
ORX-3-DPT-96L-7-40K8	B3-U0-G3	B3-U0-G3	B3-U0-G3	B5-U0-G3
ORX-3-DPT-96L-7-50K7	B3-U0-G3	B3-U0-G3	B3-U0-G3	B5-U0-G3
ORX-3-DPT-96L-7-50K8	B3-U0-G3	B3-U0-G3	B3-U0-G3	B5-U0-G3
ORX-3-DPT-96L-1-27K7	B3-U0-G3	B3-U0-G3	B3-U0-G4	B5-U0-G3
ORX-3-DPT-96L-1-27K8	B3-U0-G3	B3-U0-G3	B3-U0-G4	B5-U0-G3
ORX-3-DPT-96L-1-30K7	B3-U0-G3	B3-U0-G3	B3-U0-G4	B5-U0-G3
ORX-3-DPT-96L-1-30K8	B3-U0-G3	B3-U0-G3	B3-U0-G4	B5-U0-G3
ORX-3-DPT-96L-1-35K8	B3-U0-G3	B3-U0-G3	B3-U0-G4	B5-U0-G3
ORX-3-DPT-96L-1-40K7	B3-U0-G3	B3-U0-G4	B3-U0-G4	B5-U0-G4
ORX-3-DPT-96L-1-40K8	B3-U0-G3	B3-U0-G3	B3-U0-G4	B5-U0-G3
ORX-3-DPT-96L-1-50K7	B3-U0-G3	B3-U0-G4	B3-U0-G4	B5-U0-G4
ORX-3-DPT-96L-1-50K8	B3-U0-G3	B3-U0-G3	B3-U0-G4	B5-U0-G3

BUG RATING CHART - PERFORMANCE SILICONE MICRO OPTICS					
PART NUMBER	T4FTW	T4FTW CTG	T5W	T5W CTG	T5W DPCL
ORX-3-DPT-96L-35-27K7	B2-U0-G3	B2-U0-G2	B4-U0-G2	B4-U0-G2	NA
ORX-3-DPT-96L-35-27K8	B2-U0-G3	B2-U0-G2	B4-U0-G2	B4-U0-G2	NA
ORX-3-DPT-96L-35-30K7	B2-U0-G3	B2-U0-G3	B4-U0-G2	B4-U0-G2	NA
ORX-3-DPT-96L-35-30K8	B2-U0-G3	B2-U0-G3	B4-U0-G2	B4-U0-G2	NA
ORX-3-DPT-96L-35-35K8	B2-U0-G3	B2-U0-G3	B4-U0-G2	B4-U0-G2	NA
ORX-3-DPT-96L-35-40K7	B2-U0-G3	B2-U0-G3	B4-U0-G3	B4-U0-G2	NA
ORX-3-DPT-96L-35-40K8	B2-U0-G3	B2-U0-G3	B4-U0-G3	B4-U0-G2	NA
ORX-3-DPT-96L-35-50K7	B2-U0-G3	B2-U0-G3	B4-U0-G3	B4-U0-G2	NA
ORX-3-DPT-96L-35-50K8	B2-U0-G3	B2-U0-G3	B4-U0-G3	B4-U0-G2	NA
ORX-3-DPT-96L-53-27K7	B2-U0-G3	B2-U0-G3	B4-U0-G3	B4-U0-G3	NA
ORX-3-DPT-96L-53-27K8	B2-U0-G3	B2-U0-G3	B4-U0-G3	B4-U0-G3	NA
ORX-3-DPT-96L-53-30K7	B2-U0-G3	B2-U0-G3	B5-U0-G3	B4-U0-G3	NA
ORX-3-DPT-96L-53-30K8	B2-U0-G3	B2-U0-G3	B5-U0-G3	B4-U0-G3	NA
ORX-3-DPT-96L-53-35K8	B2-U0-G3	B2-U0-G3	B5-U0-G3	B4-U0-G3	NA
ORX-3-DPT-96L-53-40K7	B3-U0-G3	B2-U0-G3	B5-U0-G3	B4-U0-G3	NA
ORX-3-DPT-96L-53-40K8	B3-U0-G3	B2-U0-G3	B5-U0-G3	B4-U0-G3	NA
ORX-3-DPT-96L-53-50K7	B3-U0-G3	B2-U0-G3	B5-U0-G3	B4-U0-G3	NA
ORX-3-DPT-96L-53-50K8	B3-U0-G3	B2-U0-G3	B5-U0-G3	B4-U0-G3	NA
ORX-3-DPT-96L-7-27K7	B3-U0-G3	B2-U0-G3	B5-U0-G3	B5-U0-G3	NA
ORX-3-DPT-96L-7-27K8	B3-U0-G3	B2-U0-G3	B5-U0-G3	B5-U0-G3	NA
ORX-3-DPT-96L-7-30K7	B3-U0-G4	B3-U0-G3	B5-U0-G3	B5-U0-G3	NA
ORX-3-DPT-96L-7-30K8	B3-U0-G4	B3-U0-G3	B5-U0-G3	B5-U0-G3	NA
ORX-3-DPT-96L-7-35K8	B3-U0-G4	B3-U0-G3	B5-U0-G3	B5-U0-G3	NA
ORX-3-DPT-96L-7-40K7	B3-U0-G4	B3-U0-G3	B5-U0-G3	B5-U0-G3	NA
ORX-3-DPT-96L-7-40K8	B3-U0-G4	B3-U0-G3	B5-U0-G3	B5-U0-G3	NA
ORX-3-DPT-96L-7-50K7	B3-U0-G4	B3-U0-G3	B5-U0-G3	B5-U0-G3	NA
ORX-3-DPT-96L-7-50K8	B3-U0-G4	B3-U0-G3	B5-U0-G3	B5-U0-G3	NA
ORX-3-DPT-96L-1-27K7	B3-U0-G5	NA	B5-U0-G4	NA	NA
ORX-3-DPT-96L-1-27K8	B3-U0-G5	NA	B5-U0-G4	NA	NA
ORX-3-DPT-96L-1-30K7	B3-U0-G5	NA	B5-U0-G4	NA	NA
ORX-3-DPT-96L-1-30K8	B3-U0-G5	NA	B5-U0-G4	NA	NA
ORX-3-DPT-96L-1-35K8	B3-U0-G5	NA	B5-U0-G4	NA	NA
ORX-3-DPT-96L-1-40K7	B3-U0-G5	NA	B5-U0-G4	NA	NA
ORX-3-DPT-96L-1-40K8	B3-U0-G5	NA	B5-U0-G4	NA	NA
ORX-3-DPT-96L-1-50K7	B3-U0-G5	NA	B5-U0-G4	NA	NA
ORX-3-DPT-96L-1-50K8	B3-U0-G5	NA	B5-U0-G4	NA	NA

PRODUCT SPECIFICATIONS

DOUBLE ARM POST TOP - 128L

BUG RATING CHART - STANDARD SILICONE MICRO OPTICS				
PART NUMBER	T2	T3	T4	T5
ORX-3-DPT-128L-35-27K7	B2-U0-G2	B2-U0-G2	B2-U0-G2	B4-U0-G2
ORX-3-DPT-128L-35-27K8	B2-U0-G2	B2-U0-G2	B2-U0-G2	B4-U0-G2
ORX-3-DPT-128L-35-30K7	B2-U0-G2	B3-U0-G3	B3-U0-G3	B4-U0-G2
ORX-3-DPT-128L-35-30K8	B2-U0-G2	B2-U0-G2	B2-U0-G2	B4-U0-G2
ORX-3-DPT-128L-35-35K8	B2-U0-G2	B2-U0-G2	B2-U0-G2	B4-U0-G2
ORX-3-DPT-128L-35-40K7	B2-U0-G2	B3-U0-G3	B3-U0-G3	B4-U0-G2
ORX-3-DPT-128L-35-40K8	B2-U0-G2	B3-U0-G3	B3-U0-G3	B4-U0-G2
ORX-3-DPT-128L-35-50K7	B2-U0-G2	B3-U0-G3	B3-U0-G3	B4-U0-G2
ORX-3-DPT-128L-35-50K8	B2-U0-G2	B3-U0-G3	B3-U0-G3	B4-U0-G2
ORX-3-DPT-128L-53-27K7	B3-U0-G3	B3-U0-G3	B3-U0-G3	B4-U0-G2
ORX-3-DPT-128L-53-27K8	B3-U0-G3	B3-U0-G3	B3-U0-G3	B4-U0-G2
ORX-3-DPT-128L-53-30K7	B3-U0-G3	B3-U0-G3	B3-U0-G3	B5-U0-G3
ORX-3-DPT-128L-53-30K8	B3-U0-G3	B3-U0-G3	B3-U0-G3	B4-U0-G2
ORX-3-DPT-128L-53-35K8	B3-U0-G3	B3-U0-G3	B3-U0-G3	B4-U0-G2
ORX-3-DPT-128L-53-40K7	B3-U0-G3	B3-U0-G3	B3-U0-G3	B5-U0-G3
ORX-3-DPT-128L-53-40K8	B3-U0-G3	B3-U0-G3	B3-U0-G3	B5-U0-G3
ORX-3-DPT-128L-53-50K7	B3-U0-G3	B3-U0-G3	B3-U0-G3	B5-U0-G3
ORX-3-DPT-128L-53-50K8	B3-U0-G3	B3-U0-G3	B3-U0-G3	B5-U0-G3
ORX-3-DPT-128L-7-27K7	B3-U0-G3	B3-U0-G3	B3-U0-G4	B5-U0-G3
ORX-3-DPT-128L-7-27K8	B3-U0-G3	B3-U0-G3	B3-U0-G3	B5-U0-G3
ORX-3-DPT-128L-7-30K7	B3-U0-G3	B3-U0-G3	B3-U0-G4	B5-U0-G3
ORX-3-DPT-128L-7-30K8	B3-U0-G3	B3-U0-G3	B3-U0-G4	B5-U0-G3
ORX-3-DPT-128L-7-35K8	B3-U0-G3	B3-U0-G3	B3-U0-G4	B5-U0-G3
ORX-3-DPT-128L-7-40K7	B3-U0-G3	B3-U0-G3	B3-U0-G4	B5-U0-G3
ORX-3-DPT-128L-7-40K8	B3-U0-G3	B3-U0-G3	B3-U0-G4	B5-U0-G3
ORX-3-DPT-128L-7-50K7	B3-U0-G3	B3-U0-G3	B3-U0-G4	B5-U0-G3
ORX-3-DPT-128L-7-50K8	B3-U0-G3	B3-U0-G3	B3-U0-G4	B5-U0-G3
ORX-3-DPT-128L-1-27K7	B3-U0-G4	B4-U0-G4	B4-U0-G4	B5-U0-G4
ORX-3-DPT-128L-1-27K8	B3-U0-G4	B4-U0-G4	B4-U0-G4	B5-U0-G4
ORX-3-DPT-128L-1-30K7	B4-U0-G4	B4-U0-G4	B4-U0-G5	B5-U0-G4
ORX-3-DPT-128L-1-30K8	B3-U0-G4	B4-U0-G4	B4-U0-G4	B5-U0-G4
ORX-3-DPT-128L-1-35K8	B3-U0-G4	B4-U0-G4	B4-U0-G4	B5-U0-G4
ORX-3-DPT-128L-1-40K7	B4-U0-G4	B4-U0-G4	B4-U0-G5	B5-U0-G4
ORX-3-DPT-128L-1-40K8	B4-U0-G4	B4-U0-G4	B4-U0-G5	B5-U0-G4
ORX-3-DPT-128L-1-50K7	B4-U0-G4	B4-U0-G4	B4-U0-G5	B5-U0-G4
ORX-3-DPT-128L-1-50K8	B4-U0-G4	B4-U0-G4	B4-U0-G5	B5-U0-G4

BUG RATING CHART - PERFORMANCE SILICONE MICRO OPTICS					
PART NUMBER	T4FTW	T4FTW CTG	T5W	T5W CTG	T5W DPCL
ORX-3-DPT-128L-35-27K7	B2-U0-G3	B2-U0-G3	B4-U0-G3	B4-U0-G2	NA
ORX-3-DPT-128L-35-27K8	B2-U0-G3	B2-U0-G3	B4-U0-G3	B4-U0-G2	NA
ORX-3-DPT-128L-35-30K7	B2-U0-G3	B2-U0-G3	B4-U0-G3	B4-U0-G2	NA
ORX-3-DPT-128L-35-30K8	B2-U0-G3	B2-U0-G3	B4-U0-G3	B4-U0-G2	NA
ORX-3-DPT-128L-35-35K8	B2-U0-G3	B2-U0-G3	B4-U0-G3	B4-U0-G2	NA
ORX-3-DPT-128L-35-40K7	B3-U0-G3	B2-U0-G3	B4-U0-G3	B4-U0-G3	NA
ORX-3-DPT-128L-35-40K8	B3-U0-G3	B2-U0-G3	B4-U0-G3	B4-U0-G3	NA
ORX-3-DPT-128L-35-50K7	B3-U0-G3	B2-U0-G3	B4-U0-G3	B4-U0-G3	NA
ORX-3-DPT-128L-35-50K8	B3-U0-G3	B2-U0-G3	B4-U0-G3	B4-U0-G3	NA
ORX-3-DPT-128L-53-27K7	B3-U0-G4	B3-U0-G3	B5-U0-G3	B4-U0-G3	NA
ORX-3-DPT-128L-53-27K8	B3-U0-G4	B3-U0-G3	B5-U0-G3	B4-U0-G3	NA
ORX-3-DPT-128L-53-30K7	B3-U0-G4	B3-U0-G4	B5-U0-G3	B5-U0-G3	NA
ORX-3-DPT-128L-53-30K8	B3-U0-G4	B3-U0-G4	B5-U0-G3	B5-U0-G3	NA
ORX-3-DPT-128L-53-35K8	B3-U0-G4	B3-U0-G4	B5-U0-G3	B5-U0-G3	NA
ORX-3-DPT-128L-53-40K7	B3-U0-G5	B3-U0-G4	B5-U0-G3	B5-U0-G3	NA
ORX-3-DPT-128L-53-40K8	B3-U0-G5	B3-U0-G4	B5-U0-G3	B5-U0-G3	NA
ORX-3-DPT-128L-53-50K7	B3-U0-G5	B3-U0-G4	B5-U0-G3	B5-U0-G3	NA
ORX-3-DPT-128L-53-50K8	B3-U0-G5	B3-U0-G4	B5-U0-G3	B5-U0-G3	NA
ORX-3-DPT-128L-7-27K7	B3-U0-G5	B3-U0-G4	B5-U0-G3	B5-U0-G3	NA
ORX-3-DPT-128L-7-27K8	B3-U0-G5	B3-U0-G4	B5-U0-G3	B5-U0-G3	NA
ORX-3-DPT-128L-7-30K7	B4-U0-G5	B3-U0-G4	B5-U0-G4	B5-U0-G3	NA
ORX-3-DPT-128L-7-30K8	B4-U0-G5	B3-U0-G4	B5-U0-G4	B5-U0-G3	NA
ORX-3-DPT-128L-7-35K8	B4-U0-G5	B3-U0-G4	B5-U0-G4	B5-U0-G3	NA
ORX-3-DPT-128L-7-40K7	B4-U0-G5	B3-U0-G4	B5-U0-G4	B5-U0-G3	NA
ORX-3-DPT-128L-7-40K8	B4-U0-G5	B3-U0-G4	B5-U0-G4	B5-U0-G3	NA
ORX-3-DPT-128L-7-50K7	B4-U0-G5	B3-U0-G4	B5-U0-G4	B5-U0-G3	NA
ORX-3-DPT-128L-7-50K8	B4-U0-G5	B3-U0-G4	B5-U0-G4	B5-U0-G3	NA
ORX-3-DPT-128L-1-27K7	B4-U0-G5	NA	B5-U0-G4	NA	NA
ORX-3-DPT-128L-1-27K8	B4-U0-G5	NA	B5-U0-G4	NA	NA
ORX-3-DPT-128L-1-30K7	B4-U0-G5	NA	B5-U0-G4	NA	NA
ORX-3-DPT-128L-1-30K8	B4-U0-G5	NA	B5-U0-G4	NA	NA
ORX-3-DPT-128L-1-35K8	B4-U0-G5	NA	B5-U0-G4	NA	NA
ORX-3-DPT-128L-1-40K7	B4-U0-G5	NA	B5-U0-G4	NA	NA
ORX-3-DPT-128L-1-40K8	B4-U0-G5	NA	B5-U0-G4	NA	NA
ORX-3-DPT-128L-1-50K7	B4-U0-G5	NA	B5-U0-G4	NA	NA
ORX-3-DPT-128L-1-50K8	B4-U0-G5	NA	B5-U0-G4	NA	NA



701 Kingshill Place, Carson, CA 90746
Call Us Today (310) 341-2037

nlsighting.com

PRODUCT SPECIFICATIONS

DOUBLE ARM POST TOP - 144L

BUG RATING CHART - STANDARD SILICONE MICRO OPTICS				
PART NUMBER	T2	T3	T4	T5
ORX-3-DPT-144L-35-27K7	B2-U0-G2	B3-U0-G3	B3-U0-G3	B4-U0-G2
ORX-3-DPT-144L-35-27K8	B2-U0-G2	B3-U0-G3	B2-U0-G2	B4-U0-G2
ORX-3-DPT-144L-35-30K7	B3-U0-G3	B3-U0-G3	B3-U0-G3	B4-U0-G2
ORX-3-DPT-144L-35-30K8	B2-U0-G2	B3-U0-G3	B3-U0-G3	B4-U0-G2
ORX-3-DPT-144L-35-35K8	B2-U0-G2	B3-U0-G3	B3-U0-G3	B4-U0-G2
ORX-3-DPT-144L-35-40K7	B3-U0-G3	B3-U0-G3	B3-U0-G3	B4-U0-G2
ORX-3-DPT-144L-35-40K8	B3-U0-G3	B3-U0-G3	B3-U0-G3	B4-U0-G2
ORX-3-DPT-144L-35-50K7	B3-U0-G3	B3-U0-G3	B3-U0-G3	B4-U0-G2
ORX-3-DPT-144L-35-50K8	B3-U0-G3	B3-U0-G3	B3-U0-G3	B4-U0-G2
ORX-3-DPT-144L-53-27K7	B3-U0-G3	B3-U0-G3	B3-U0-G3	B5-U0-G3
ORX-3-DPT-144L-53-27K8	B3-U0-G3	B3-U0-G3	B3-U0-G3	B4-U0-G2
ORX-3-DPT-144L-53-30K7	B3-U0-G3	B3-U0-G3	B3-U0-G3	B5-U0-G3
ORX-3-DPT-144L-53-30K8	B3-U0-G3	B3-U0-G3	B3-U0-G3	B5-U0-G3
ORX-3-DPT-144L-53-35K8	B3-U0-G3	B3-U0-G3	B3-U0-G3	B5-U0-G3
ORX-3-DPT-144L-53-40K7	B3-U0-G3	B3-U0-G3	B3-U0-G4	B5-U0-G3
ORX-3-DPT-144L-53-40K8	B3-U0-G3	B3-U0-G3	B3-U0-G3	B5-U0-G3
ORX-3-DPT-144L-53-50K7	B3-U0-G3	B3-U0-G3	B3-U0-G4	B5-U0-G3
ORX-3-DPT-144L-53-50K8	B3-U0-G3	B3-U0-G3	B3-U0-G3	B5-U0-G3
ORX-3-DPT-144L-7-27K7	B3-U0-G3	B3-U0-G3	B3-U0-G4	B5-U0-G3
ORX-3-DPT-144L-7-27K8	B3-U0-G3	B3-U0-G3	B3-U0-G4	B5-U0-G3
ORX-3-DPT-144L-7-30K7	B3-U0-G3	B3-U0-G3	B3-U0-G4	B5-U0-G4
ORX-3-DPT-144L-7-30K8	B3-U0-G3	B3-U0-G3	B3-U0-G4	B5-U0-G3
ORX-3-DPT-144L-7-35K8	B3-U0-G3	B3-U0-G3	B3-U0-G4	B5-U0-G3
ORX-3-DPT-144L-7-40K7	B3-U0-G3	B4-U0-G4	B3-U0-G4	B5-U0-G4
ORX-3-DPT-144L-7-40K8	B3-U0-G3	B3-U0-G3	B3-U0-G4	B5-U0-G4
ORX-3-DPT-144L-7-50K7	B3-U0-G3	B4-U0-G4	B3-U0-G4	B5-U0-G4
ORX-3-DPT-144L-7-50K8	B3-U0-G3	B3-U0-G3	B3-U0-G4	B5-U0-G4
ORX-3-DPT-144L-1A-27K7	B4-U0-G4	B4-U0-G4	B4-U0-G5	B5-U0-G4
ORX-3-DPT-144L-1A-27K8	B3-U0-G4	B4-U0-G4	B4-U0-G4	B5-U0-G4
ORX-3-DPT-144L-1A-30K7	B4-U0-G4	B4-U0-G4	B4-U0-G5	B5-U0-G4
ORX-3-DPT-144L-1A-30K8	B4-U0-G4	B4-U0-G4	B4-U0-G5	B5-U0-G4
ORX-3-DPT-144L-1A-35K8	B4-U0-G4	B4-U0-G4	B4-U0-G5	B5-U0-G4
ORX-3-DPT-144L-1A-40K7	B4-U0-G4	B4-U0-G4	B4-U0-G5	B5-U0-G4
ORX-3-DPT-144L-1A-40K8	B4-U0-G4	B4-U0-G4	B4-U0-G5	B5-U0-G4
ORX-3-DPT-144L-1A-50K7	B4-U0-G4	B4-U0-G4	B4-U0-G5	B5-U0-G4
ORX-3-DPT-144L-1A-50K8	B4-U0-G4	B4-U0-G4	B4-U0-G5	B5-U0-G4

BUG RATING CHART - PERFORMANCE SILICONE MICRO OPTICS					
PART NUMBER	T4FTW	T4FTW CTG	T5W	T5W CTG	T5W DPCL
ORX-3-DPT-144L-35-27K7	B3-U0-G3	B2-U0-G3	B4-U0-G3	B4-U0-G3	NA
ORX-3-DPT-144L-35-27K8	B3-U0-G3	B2-U0-G3	B4-U0-G3	B4-U0-G3	NA
ORX-3-DPT-144L-35-30K7	B3-U0-G3	B2-U0-G3	B5-U0-G3	B4-U0-G3	NA
ORX-3-DPT-144L-35-30K8	B3-U0-G3	B2-U0-G3	B5-U0-G3	B4-U0-G3	NA
ORX-3-DPT-144L-35-35K8	B3-U0-G3	B2-U0-G3	B5-U0-G3	B4-U0-G3	NA
ORX-3-DPT-144L-35-40K7	B3-U0-G3	B2-U0-G3	B5-U0-G3	B4-U0-G3	NA
ORX-3-DPT-144L-35-40K8	B3-U0-G3	B2-U0-G3	B5-U0-G3	B4-U0-G3	NA
ORX-3-DPT-144L-35-50K7	B3-U0-G3	B2-U0-G3	B5-U0-G3	B4-U0-G3	NA
ORX-3-DPT-144L-35-50K8	B3-U0-G3	B2-U0-G3	B5-U0-G3	B4-U0-G3	NA
ORX-3-DPT-144L-53-27K7	B3-U0-G4	B3-U0-G4	B5-U0-G3	B5-U0-G3	NA
ORX-3-DPT-144L-53-27K8	B3-U0-G4	B3-U0-G4	B5-U0-G3	B5-U0-G3	NA
ORX-3-DPT-144L-53-30K7	B3-U0-G4	B3-U0-G4	B5-U0-G4	B5-U0-G3	NA
ORX-3-DPT-144L-53-30K8	B3-U0-G4	B3-U0-G4	B5-U0-G4	B5-U0-G3	NA
ORX-3-DPT-144L-53-35K8	B3-U0-G4	B3-U0-G4	B5-U0-G4	B5-U0-G3	NA
ORX-3-DPT-144L-53-40K7	B3-U0-G4	B3-U0-G4	B5-U0-G4	B5-U0-G3	NA
ORX-3-DPT-144L-53-40K8	B3-U0-G4	B3-U0-G4	B5-U0-G4	B5-U0-G3	NA
ORX-3-DPT-144L-53-50K7	B3-U0-G4	B3-U0-G4	B5-U0-G4	B5-U0-G3	NA
ORX-3-DPT-144L-53-50K8	B3-U0-G4	B3-U0-G4	B5-U0-G4	B5-U0-G3	NA
ORX-3-DPT-144L-7-27K7	B3-U0-G4	B3-U0-G4	B5-U0-G4	B5-U0-G4	NA
ORX-3-DPT-144L-7-27K8	B3-U0-G4	B3-U0-G4	B5-U0-G4	B5-U0-G4	NA
ORX-3-DPT-144L-7-30K7	B4-U0-G5	B3-U0-G4	B5-U0-G4	B5-U0-G4	NA
ORX-3-DPT-144L-7-30K8	B4-U0-G5	B3-U0-G4	B5-U0-G4	B5-U0-G4	NA
ORX-3-DPT-144L-7-35K8	B4-U0-G5	B3-U0-G4	B5-U0-G4	B5-U0-G4	NA
ORX-3-DPT-144L-7-40K7	B4-U0-G5	B3-U0-G4	B5-U0-G4	B5-U0-G4	NA
ORX-3-DPT-144L-7-40K8	B4-U0-G5	B3-U0-G4	B5-U0-G4	B5-U0-G4	NA
ORX-3-DPT-144L-7-50K7	B4-U0-G5	B3-U0-G4	B5-U0-G4	B5-U0-G4	NA
ORX-3-DPT-144L-7-50K8	B4-U0-G5	B3-U0-G4	B5-U0-G4	B5-U0-G4	NA
ORX-3-DPT-144L-1A-27K7	B4-U0-G5	NA	B5-U0-G4	NA	NA
ORX-3-DPT-144L-1A-27K8	B4-U0-G5	NA	B5-U0-G4	NA	NA
ORX-3-DPT-144L-1A-30K7	B4-U0-G5	NA	B5-U0-G5	NA	NA
ORX-3-DPT-144L-1A-30K8	B4-U0-G5	NA	B5-U0-G5	NA	NA
ORX-3-DPT-144L-1A-35K8	B4-U0-G5	NA	B5-U0-G5	NA	NA
ORX-3-DPT-144L-1A-40K7	B4-U0-G5	NA	B5-U0-G5	NA	NA
ORX-3-DPT-144L-1A-40K8	B4-U0-G5	NA	B5-U0-G5	NA	NA
ORX-3-DPT-144L-1A-50K7	B4-U0-G5	NA	B5-U0-G5	NA	NA
ORX-3-DPT-144L-1A-50K8	B4-U0-G5	NA	B5-U0-G5	NA	NA

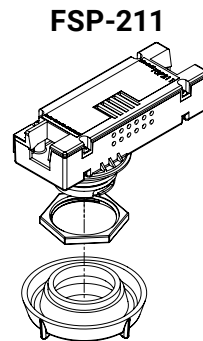
PRODUCT SPECIFICATIONS

CONTROL OPTIONS

- DIMMING CONTROL (FSP)—Passive infrared (PIR) sensor providing multi-level control based on motion/daylight contribution
- All control parameters adjustable via wireless configuration remote storing and transmitting sensor profiles.
- FSP-8 mounting heights 8 feet and below
- FSP-20 mounting heights 9-20 feet.
- FSP-40 mounting heights 21-40 feet.
- Includes 5 dimming event cycles, 0-10V dimming with motion sensing, re-programmable in the field.

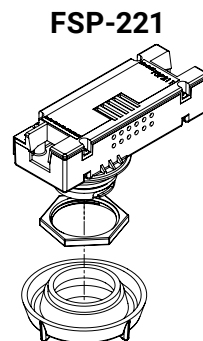
FSP-211 WITH MOTION SENSOR (FSP-XX)

- FSP-211(FSP-X)—Passive infrared (PIR) sensor providing multi-level control based on motion/daylight contribution.
- 120/277VAC, 230-240VAC
- All control parameters adjustable via wireless configuration remote storing and transmitting sensor profiles.
- FSP-8 mounting heights 8 feet and below
- FSP-20 mounting heights 9-20 feet.
- FSP-40 mounting heights 21-40 feet.
- Includes 5 dimming event cycles, 0-10V dimming with motion sensing, re-programmable in the field.

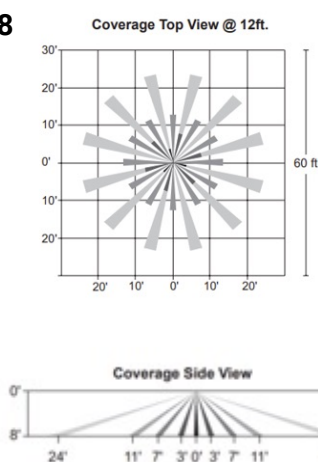


FSP-221 WITH MOTION SENSOR (FSP-HV-XX)

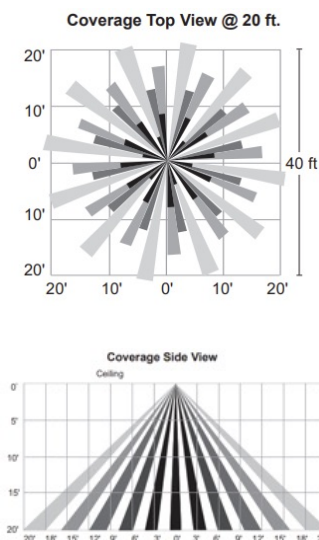
- FSP-221 (FSP-HV-X)—Passive infrared (PIR) sensor providing multi-level control based on motion/daylight contribution.
- 100-347VAC 208/230/480VAC
- All control parameters adjustable via wireless configuration remote storing and transmitting sensor profiles.
- FSP-8 mounting heights 8 feet and below
- FSP-20 mounting heights 9-20 feet.
- FSP-40 mounting heights 21-40 feet.
- Includes 5 dimming event cycles, 0-10V dimming with motion sensing, re-programmable in the field.



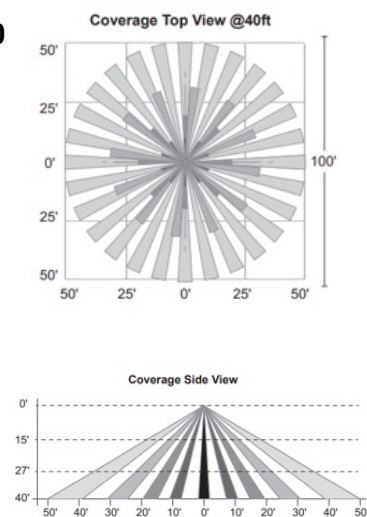
FSP-8



FSP-20



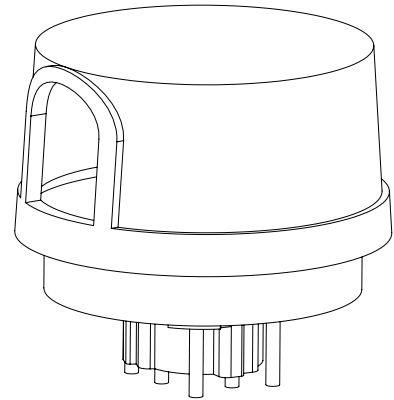
FSP-40



PRODUCT SPECIFICATIONS

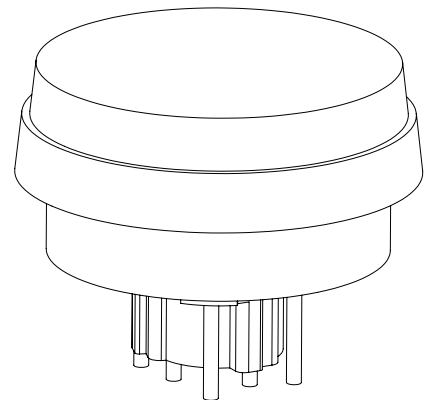
PHOTOCELL + RECEPTACLE (PCR)

7-Pin Receptacle and Electronic Twist Lock Photocell for dusk to dawn operation.



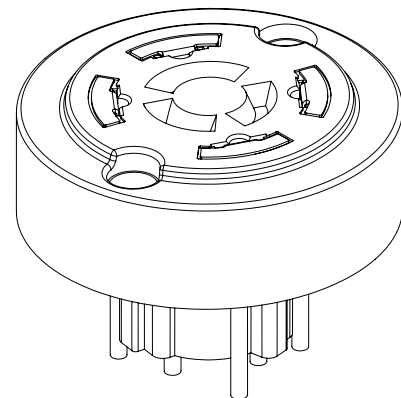
RECEPTACLE + SHORTING CAP (PER)

7-Pin Receptacle and Shorting Cap.



NEMA 7-PIN RECEPTACLE (PE7)

An ANSI C136.41-2013 receptacle provides electrical and mechanical interconnection between photo control cell and luminaire. Dimming receptacle available two or four dimming contacts supports 0-10 VDC dimming methods or Digital Addressable Lighting Interface (DALI), providing reliable power interconnect.



PRODUCT SPECIFICATIONS

MARINE GRADE FINISH (MGF)

The (MGF) is a multi step process. Chemically washed in a 5 stage cleaning system. Pre-baked. Powder coated 3-5 mil of Zinc Rich Super Durable Polyester Primer. Oven Baked.

Finished Powder Coating of Super Durable Polyester Powder Coat 3-5 mil thickness.



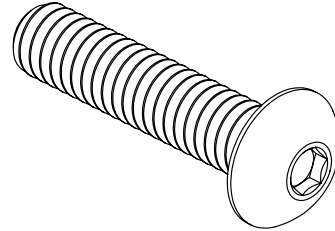
Powder Coat Finish
3-5 mil Powder Coat

Primer Layer
3-5 mil Zinc Rich Super Durable Polyester Primer

Prepared Casting
Chemically washed in multi Step 5 stage cleaning process

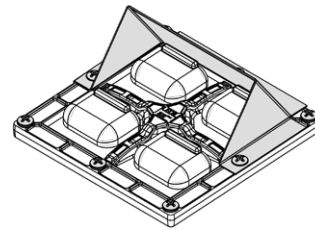
TAMPER PROOF HARDWARE

316 Stainless Steel Button Head Hex Drive Screws. Provided to protect the optical assembly and the driver compartment for vandal resistance.



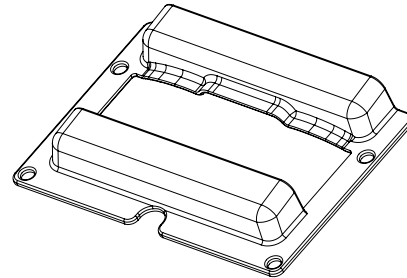
AUTOMOTIVE HOUSE SIDE SHIELD

Automotive House Side Shield (AHS) is a single-sided shield allowing partial cut-off on either side or front of luminaire.



HOUSE SIDE SHIELD (HSS)

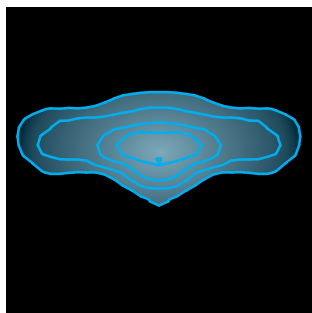
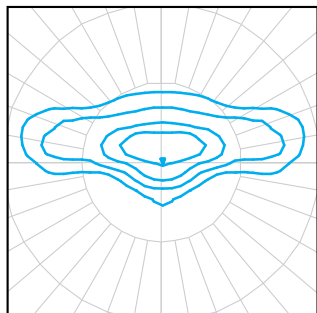
House Side Shield (HSS) is designed for stringent property line cutoff. Injection Molded Glass Filled Nylon, standard finish is black.



SENSOR SPECIFICATION

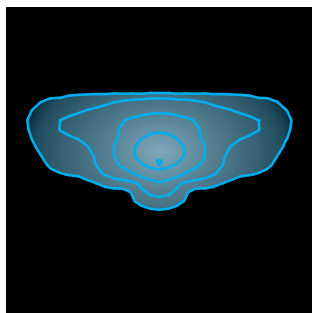
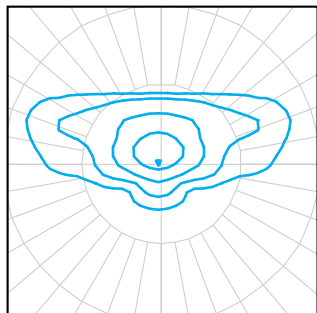


IES DISTRIBUTIONS



T2 OPTIC

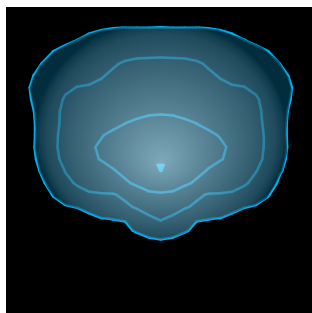
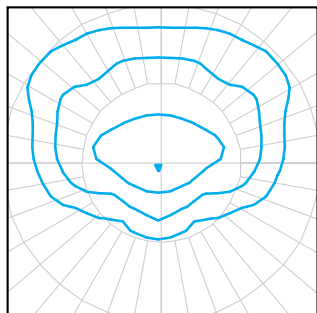
The Type II distribution is used for narrow pathways and trails, narrow entrances of shopping centers, parking lots and office complex's.



T3 OPTIC

The type III distribution is meant for roadway lighting, general parking areas and other areas where a larger area of lighting is required. Type III lighting needs to be placed to the side of the area, allowing the light to project outward and fill the area. This produces a filling light flow.

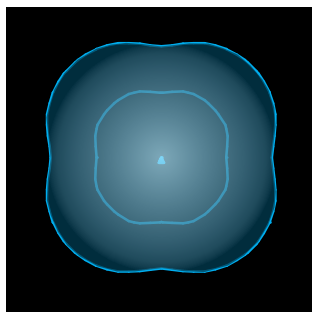
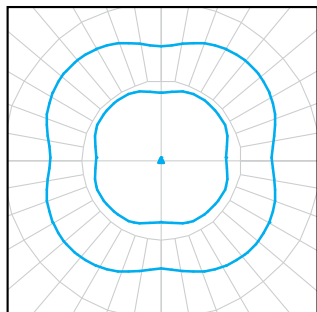
Type III light distributions have a preferred lateral width of 40 degrees. This distribution is intended for luminaires mounted at or near the side of medium width roadways or areas, where the width of the roadway or area does not exceed 2.75 times the mounting height.



T4 OPTIC

The type IV distribution produces a semicircular light meant for mounting on the sides of buildings and walls. It's best for illuminating the perimeter of parking areas and businesses. The intensity of the Type IV lighting has the same intensity at angles from 90 degrees to 270 degrees.

Type IV light distributions have a preferred lateral width of 60 degrees. This distribution is intended for side-of-road mounting and is generally used on wide roadways where the roadway width does not exceed 3.7 times the mounting height.



T5 OPTIC - SYMMETRICAL

Type V produces a symmetrical distribution that has the same intensity at all angles. This distribution has a uniform symmetry of candlepower that is essentially the same at all lateral angles. It is meant for large, commercial parking lot lighting as well as areas where sufficient, evenly distributed light is necessary.

SILICONE OPTICS

NLS Lighting Silicone Micro Optical System technology takes quality and performance to the highest level. Vandal resistant, superior clarity—Micro Optics have become the best and lasting solution in the industry.

BENEFITS

- Produces superior 96% clarity
- Heat resistant to 150° C, 50% higher than acrylic
- Ecologically friendly—no glare
- Vandal-resistant
- Does not brittle, crack, or yellow over time

